

# Oasis Side and Coffee Tables

# K I N G

## Assembly Instructions

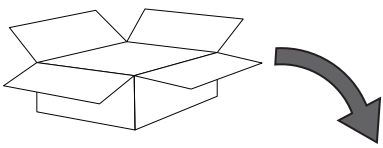
**Two People are required for Safe Assembly.**

### Opening Boxes:

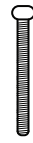
DO NOT use a knife to open the King boxes as you may damage your furniture. Peel off the tape, then lift & separate the cardboard flaps to open.

Assemble your furniture by following the instructions below.

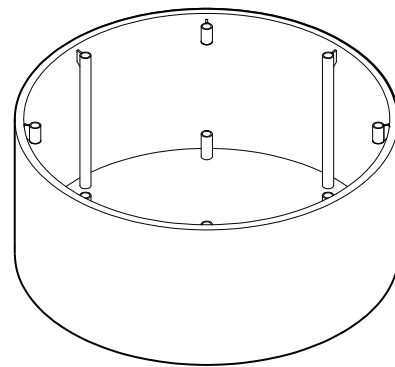
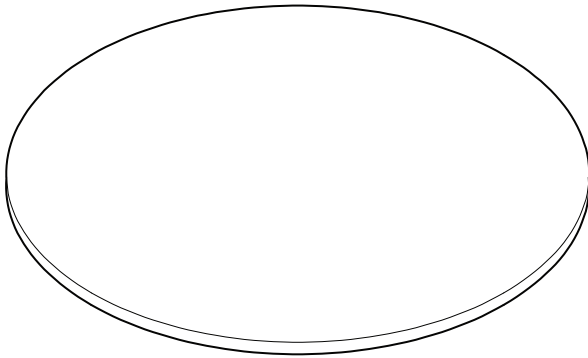
1



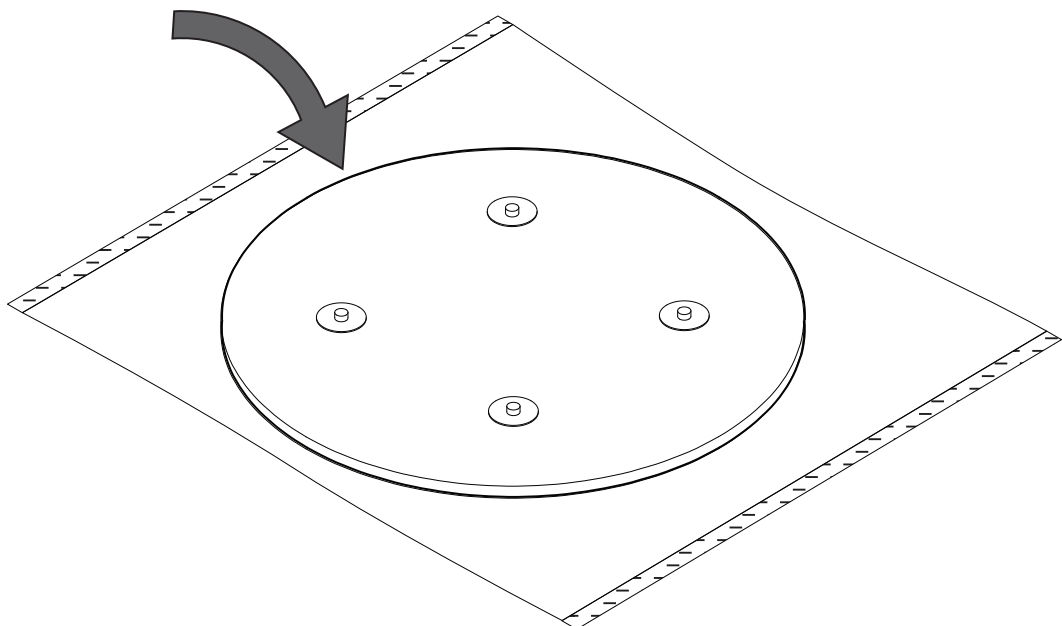
**x1 (5mm)**



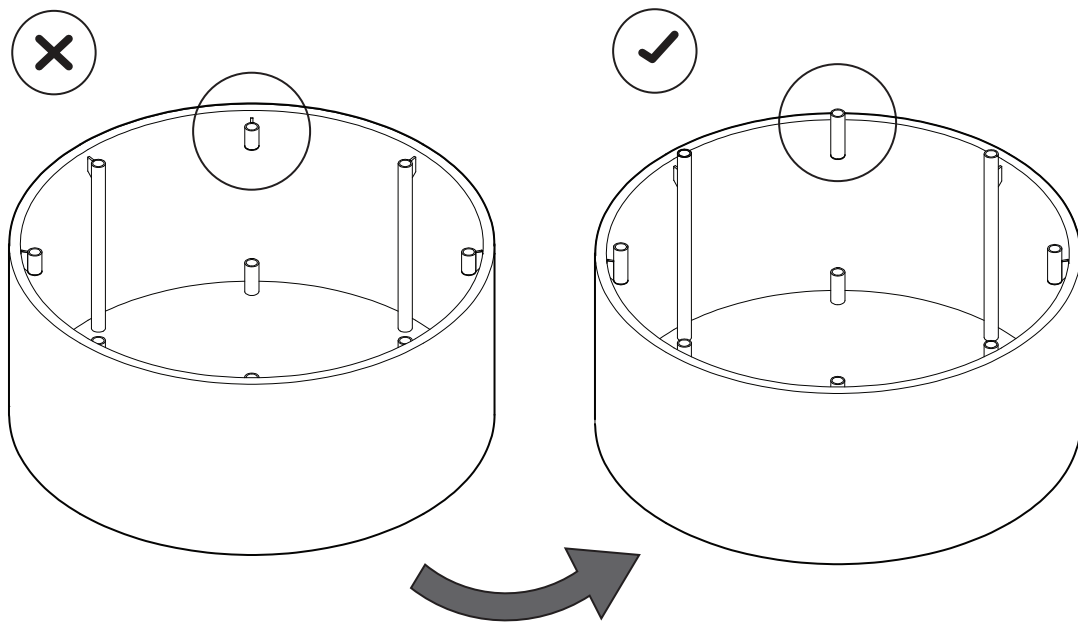
**x4**



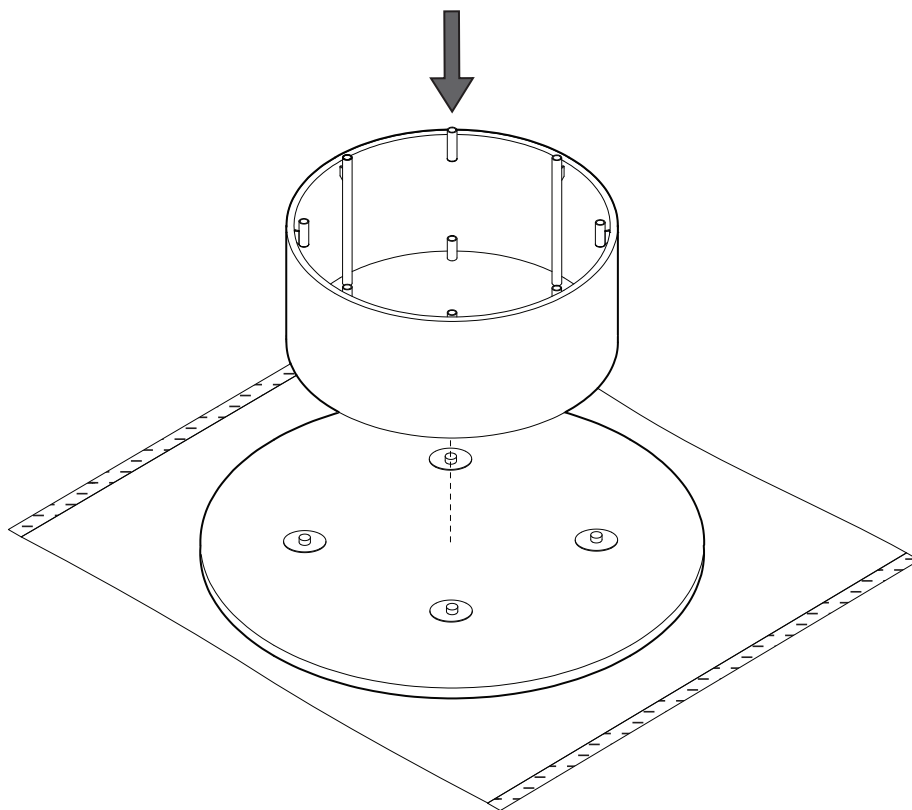
2



3



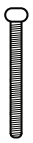
4



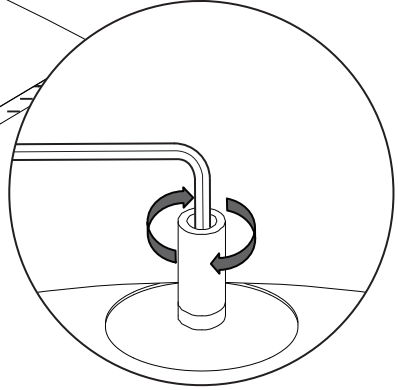
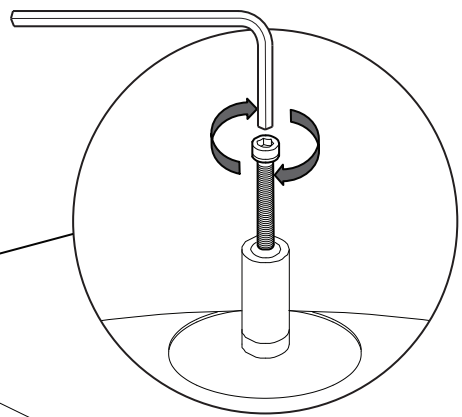
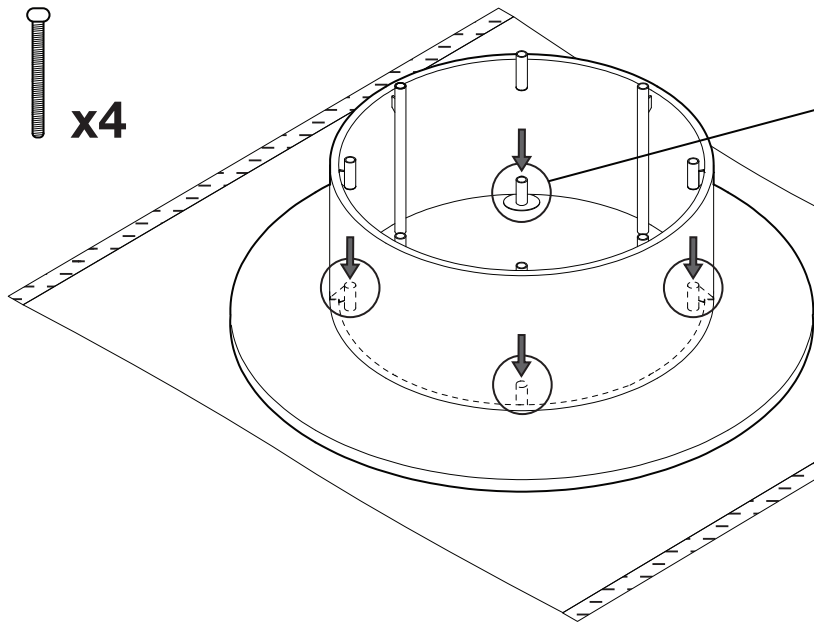
5



x1 (5mm)



x4



6

