

Reo II Recliner Sofa

KING

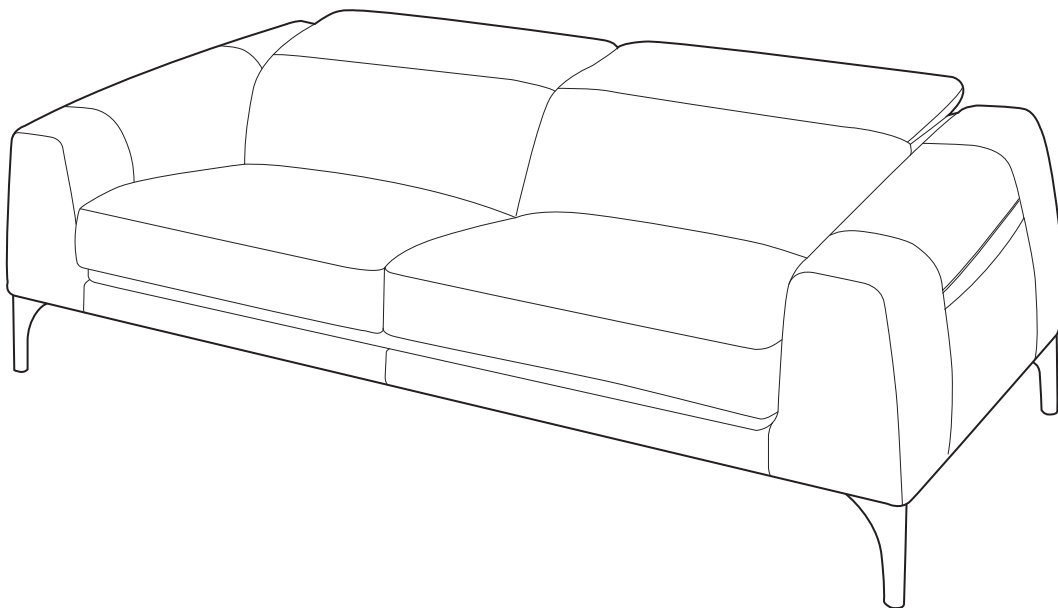
Assembly

Two People Are Required For Safe Assembly.

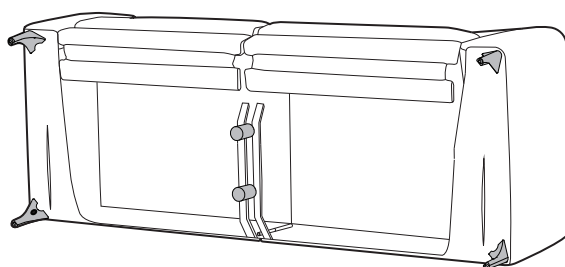
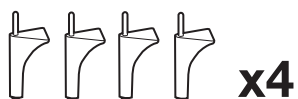
Opening Boxes:

DO NOT use a knife to open the King boxes as you may damage your furniture. Peel off the tape, then lift & separate the cardboard flaps to open.

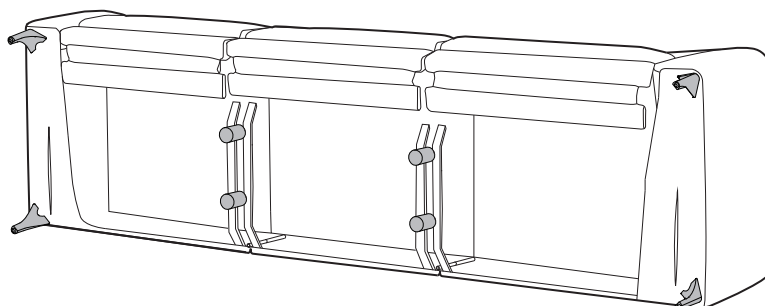
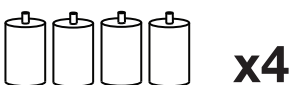
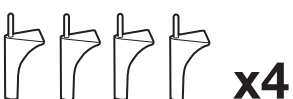
Assemble your furniture by following the instructions below.



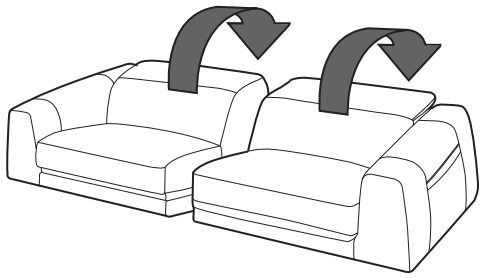
2 Seater / 2.5 Seater



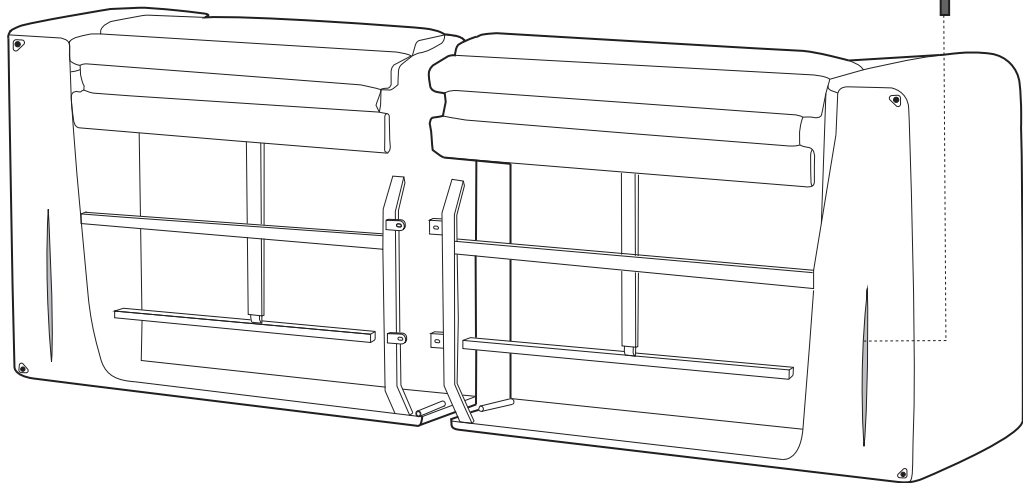
3 Seater



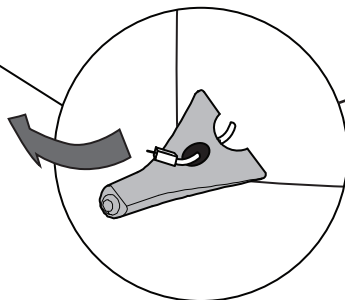
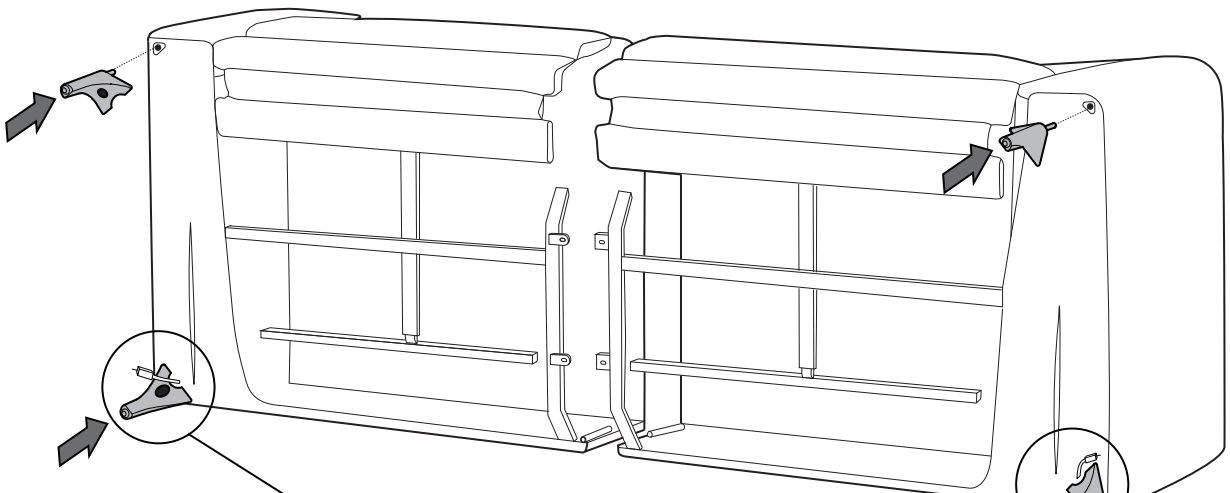
1



↑
↑
↑
↑ x4



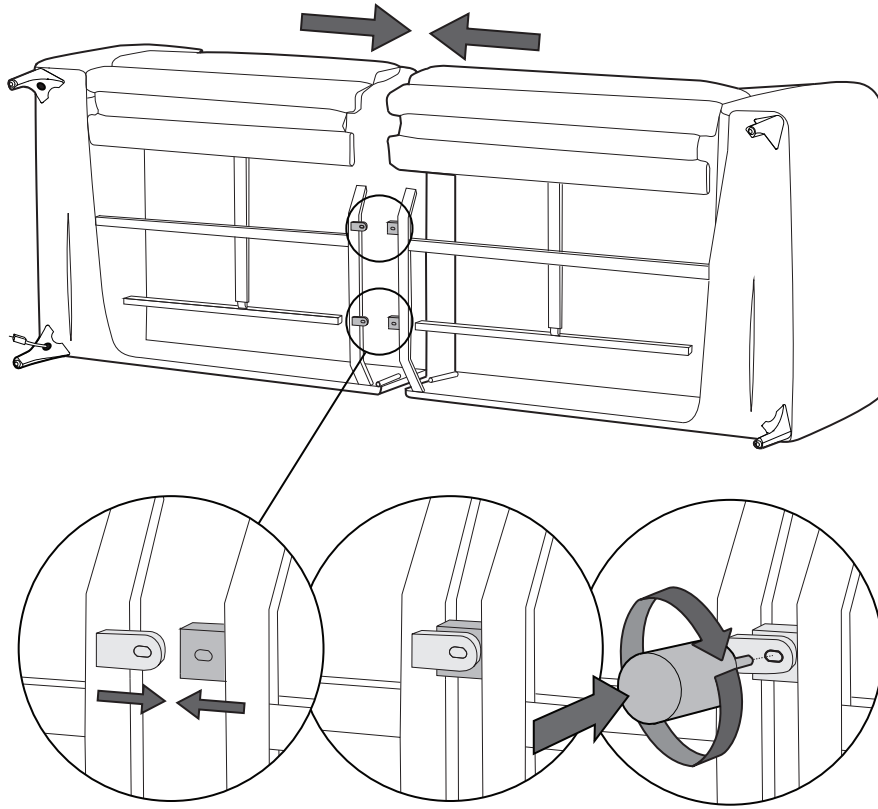
2



LEFT OR RIGHT

3

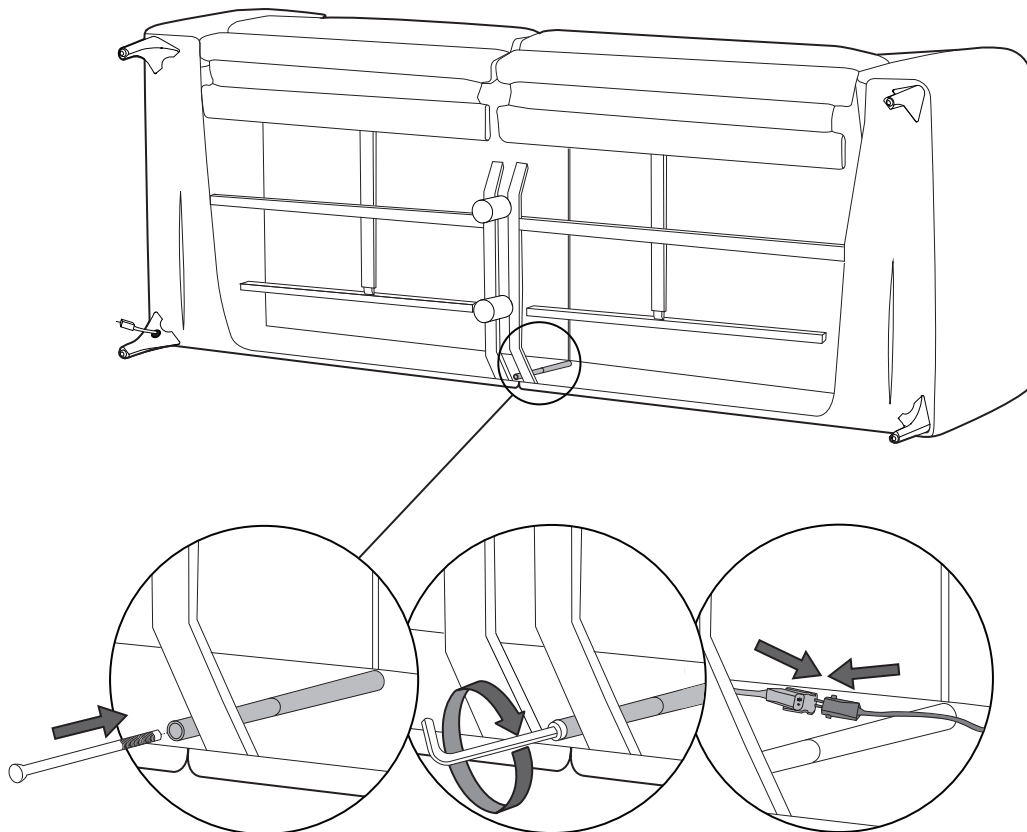
 x2



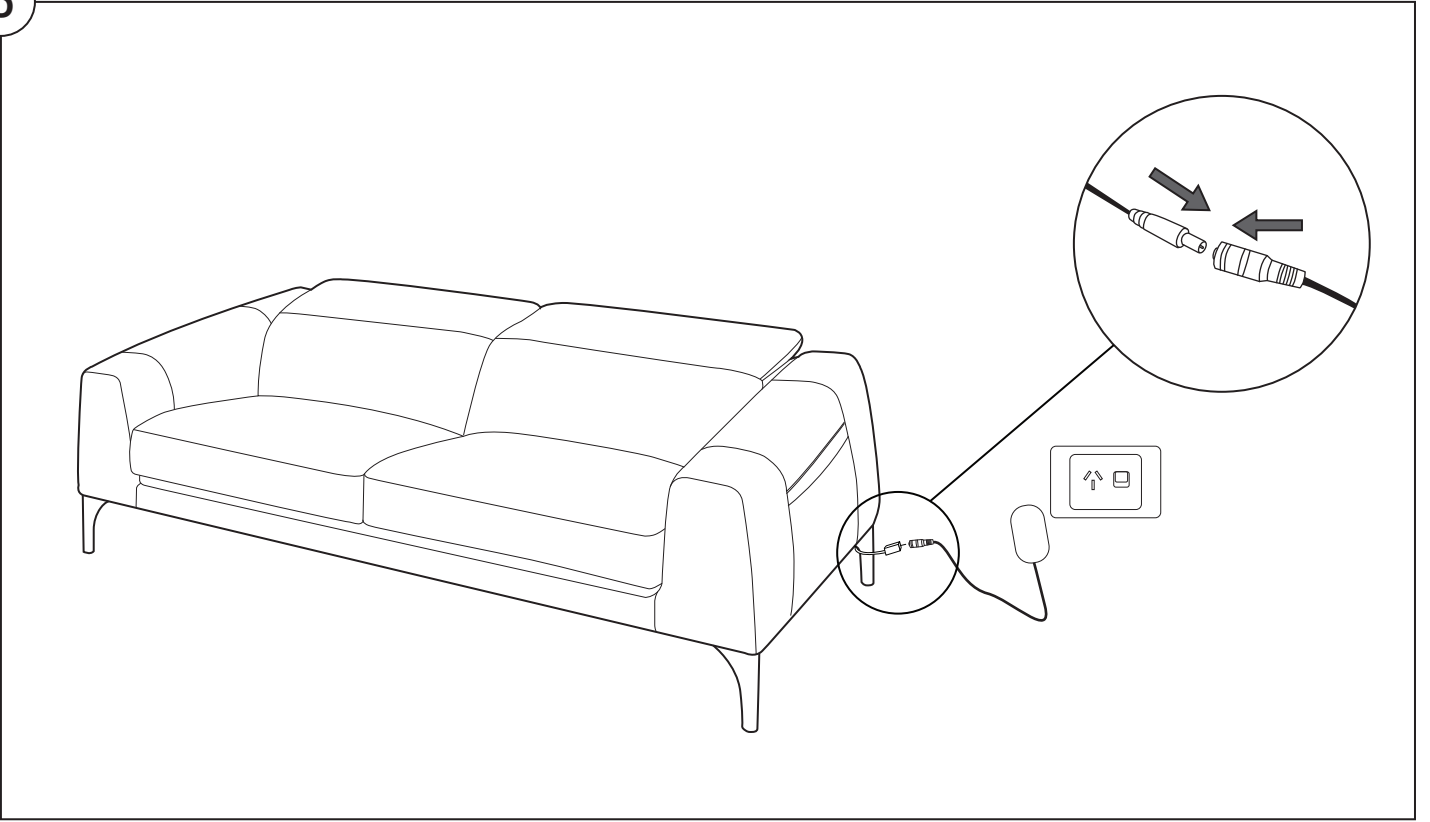
4

 x1

 x1

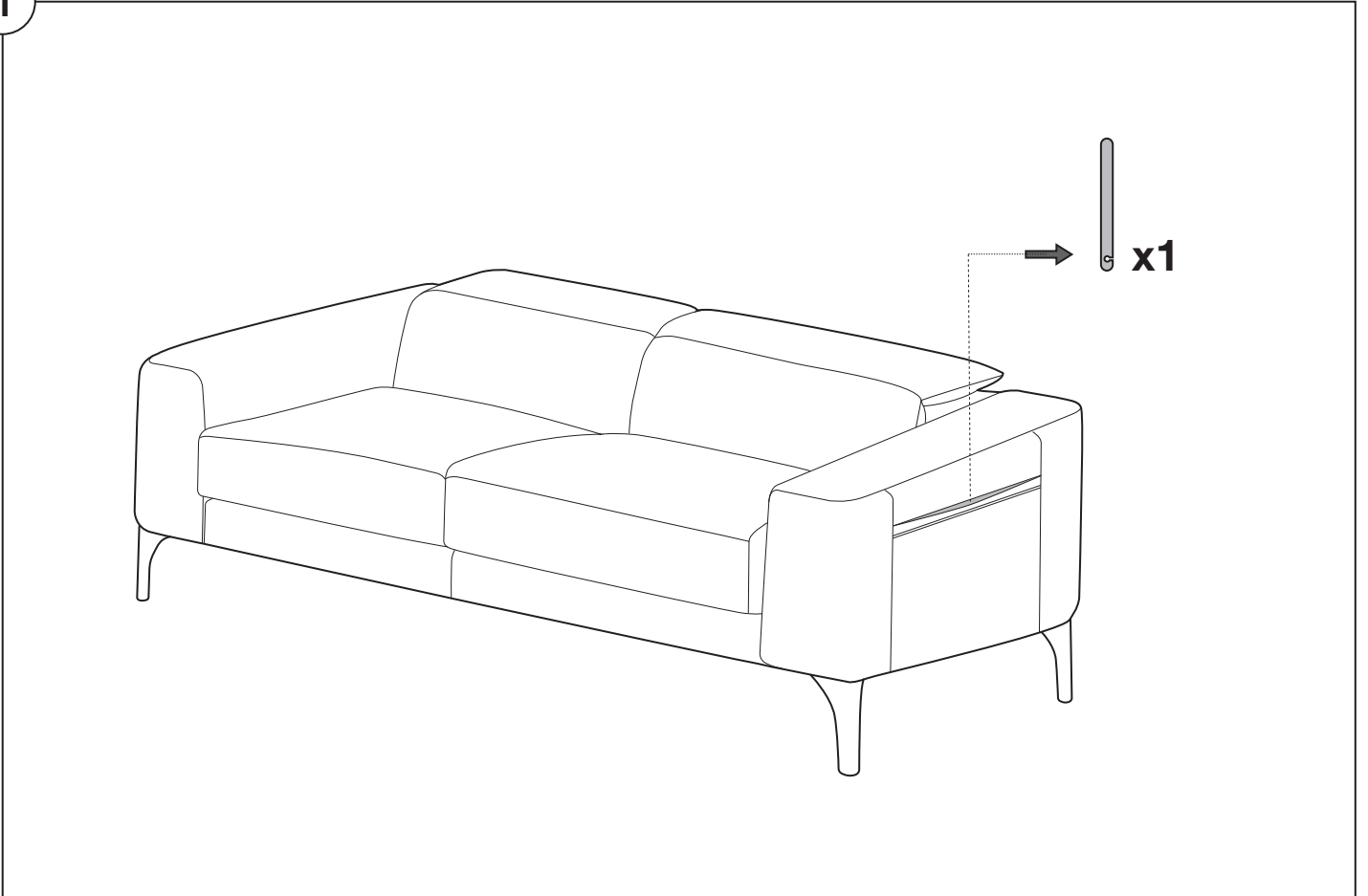


5

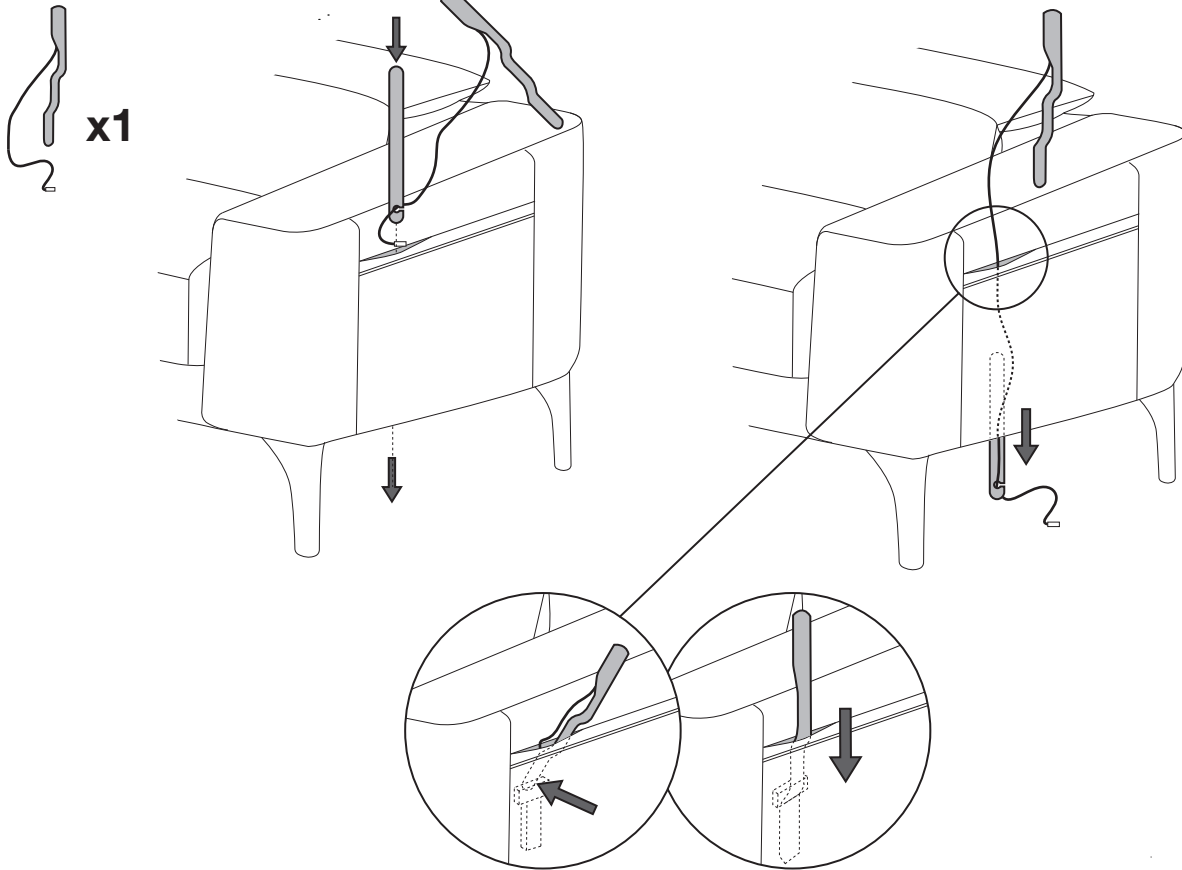


Smart Accessories Assembly

1



2



3

