

Delta III Sofa

KING

Storage Base Assembly

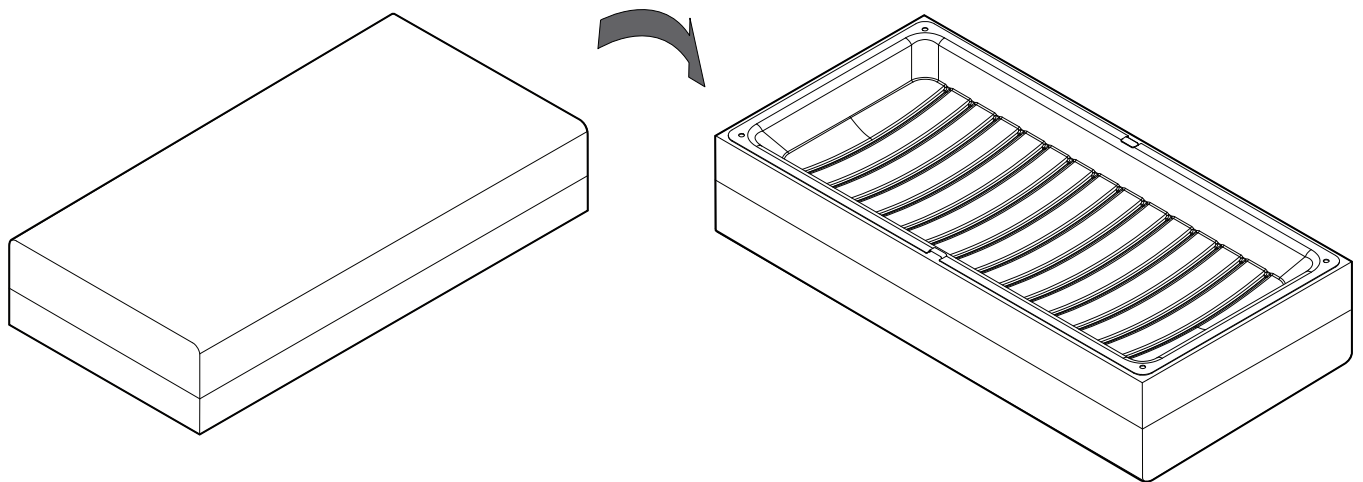
Two People Are Required For Safe Assembly.

Opening Boxes:

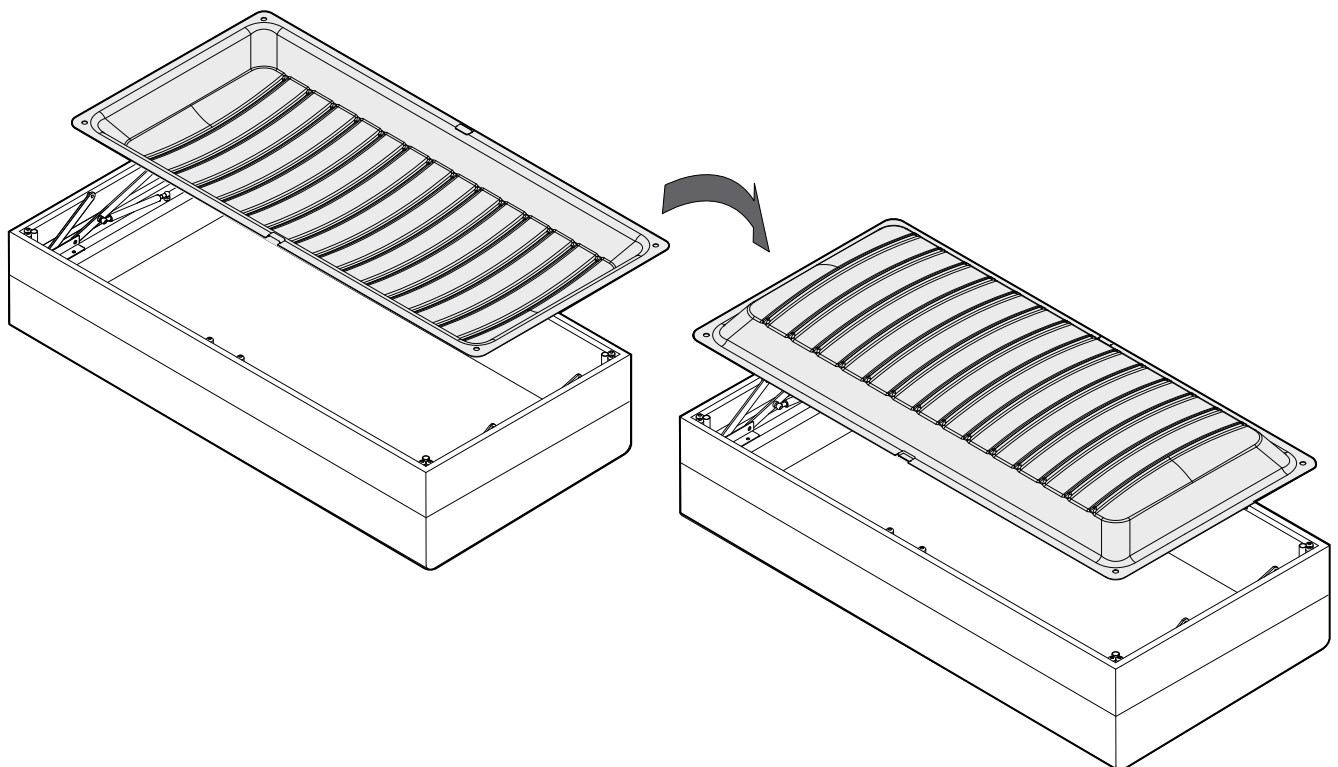
DO NOT use a knife to open the King boxes as you may damage your furniture. Peel off the tape, then lift & separate the cardboard flaps to open.

Assemble your furniture by following the instructions below.

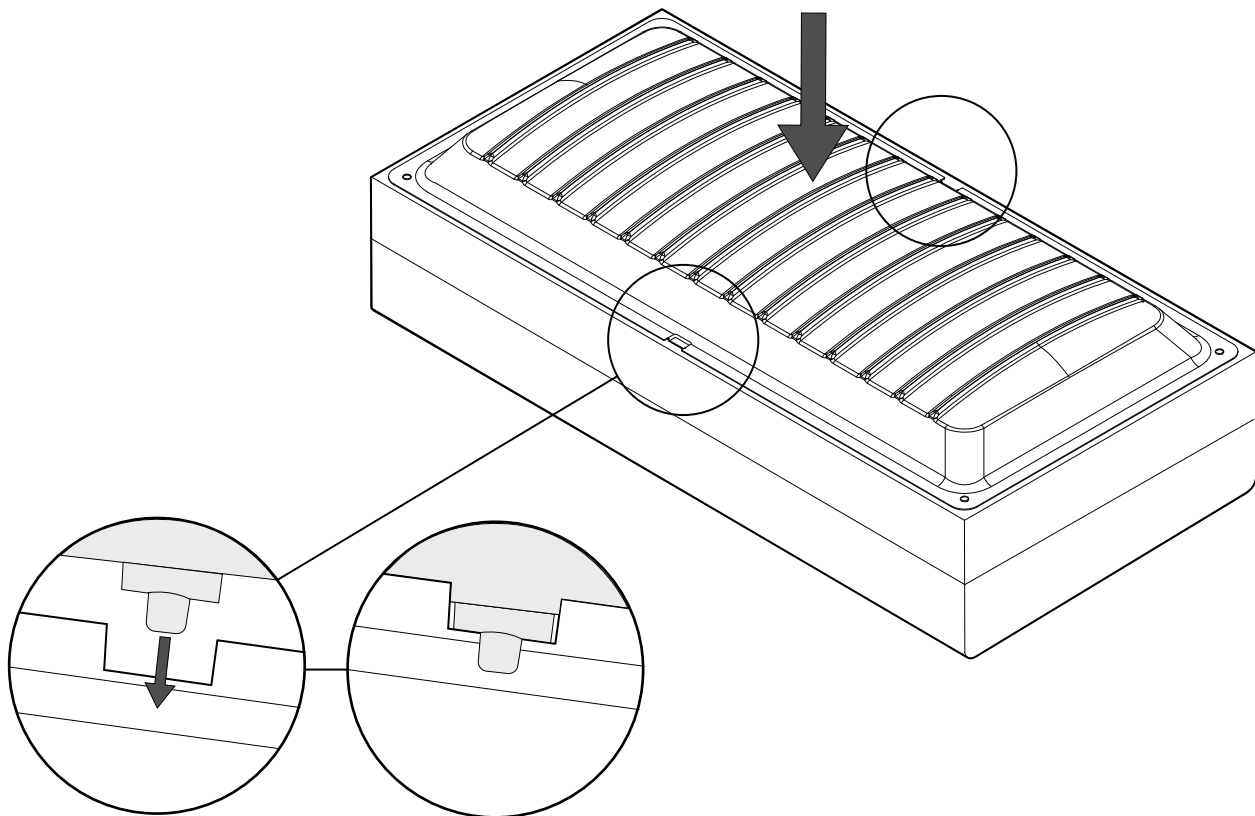
1



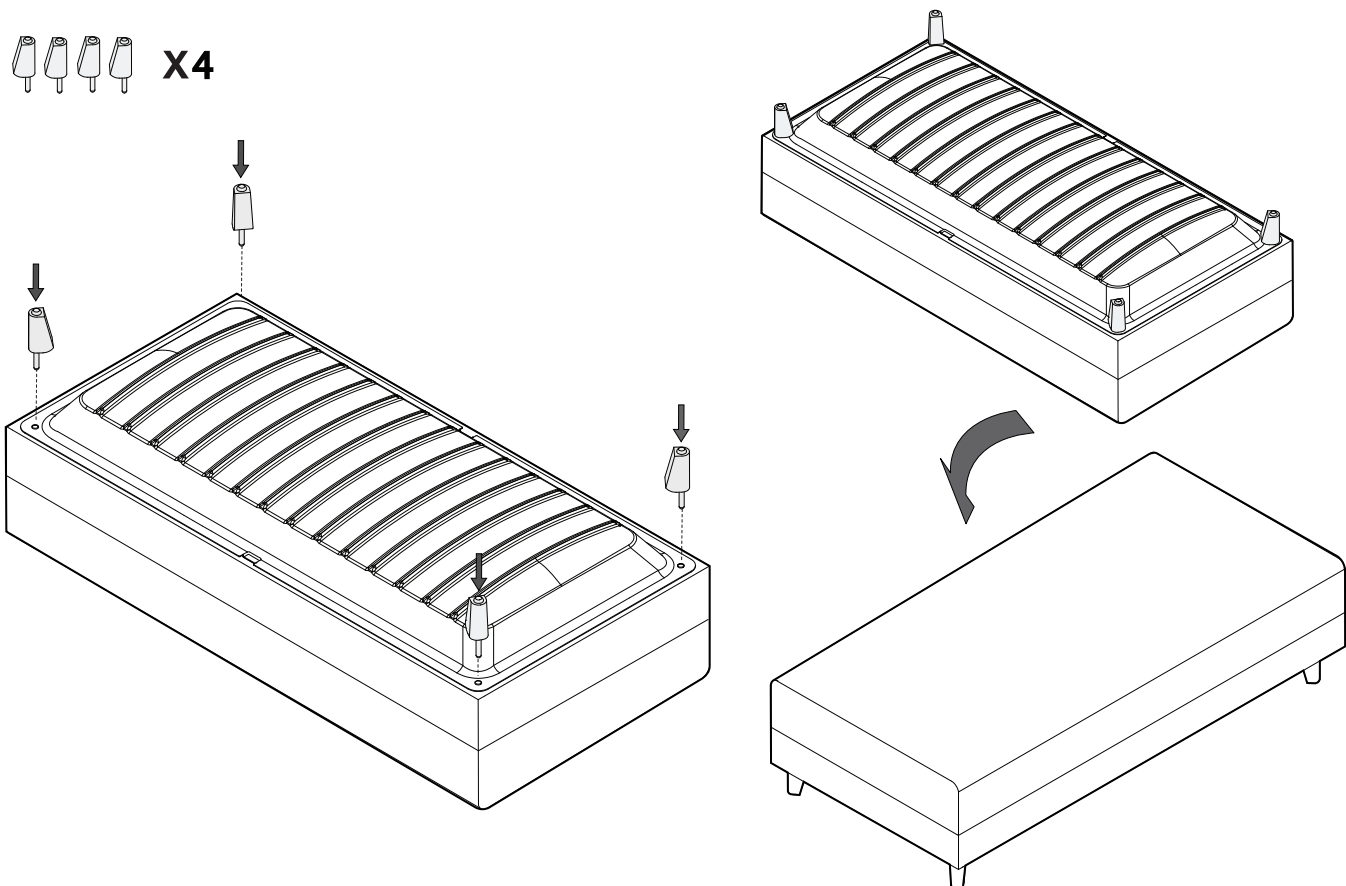
2



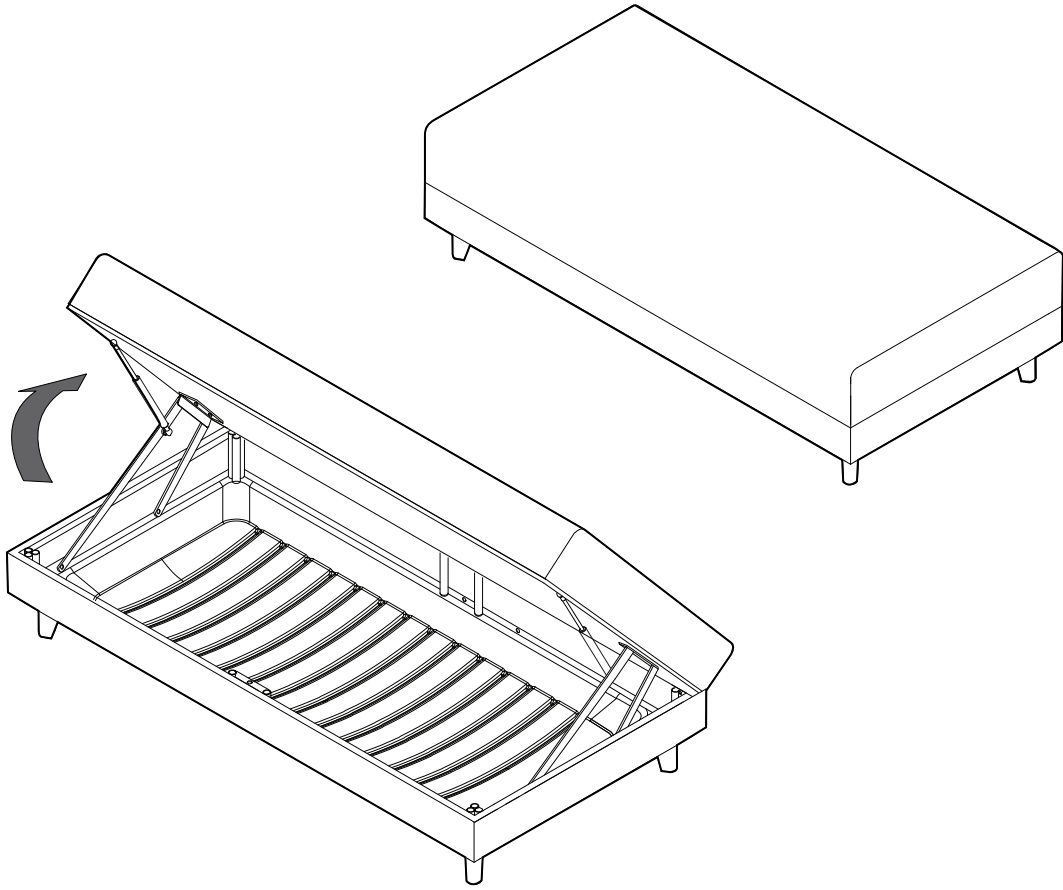
3



4



5



Delta III Sofa - Storage

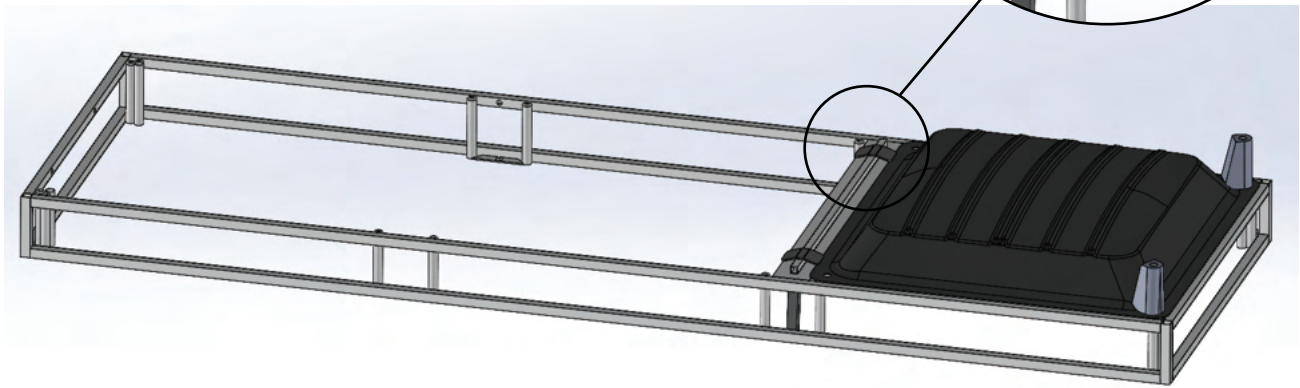
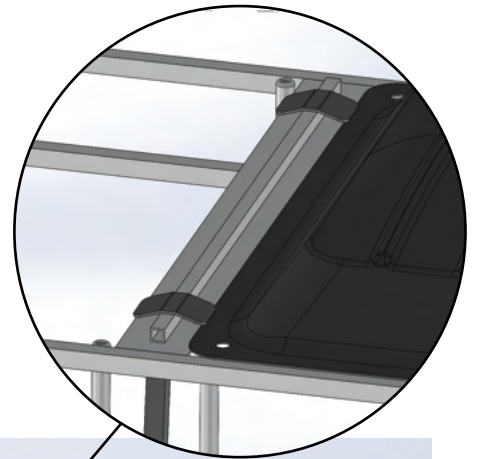
K I N G

1

Tub is secured under steel hook attached to cross bar and covered with tricot.

Steel hook can be found by feeling with hand.

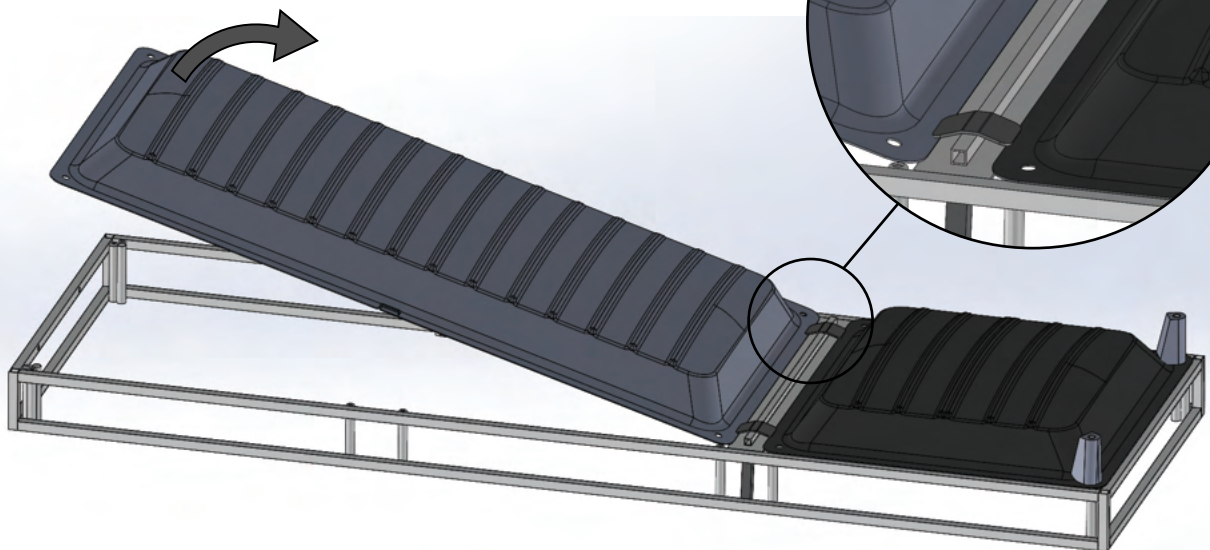
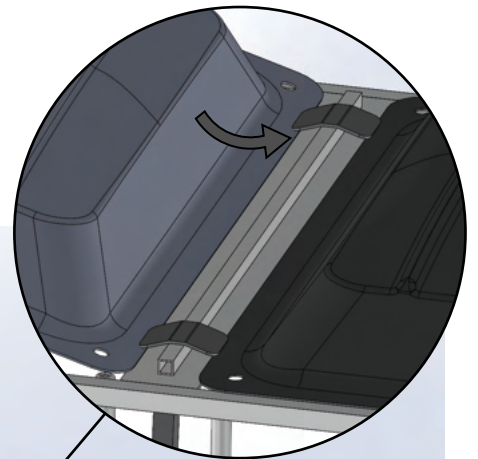
Image shows square tub already in place. Rectangle tub will be attached below.



2

Rectangle tub is inserted at an angle and tucked under steel hook.

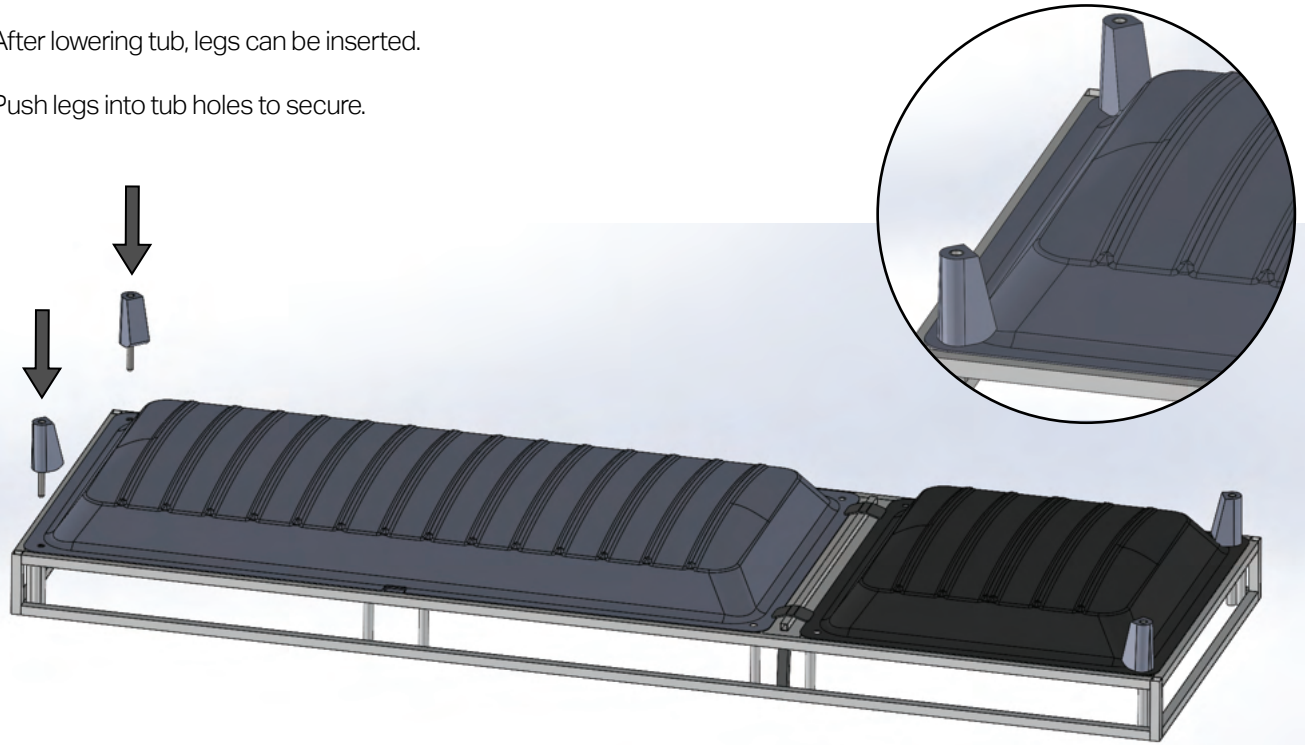
After being tucked under, tub can be lowered.



3

After lowering tub, legs can be inserted.

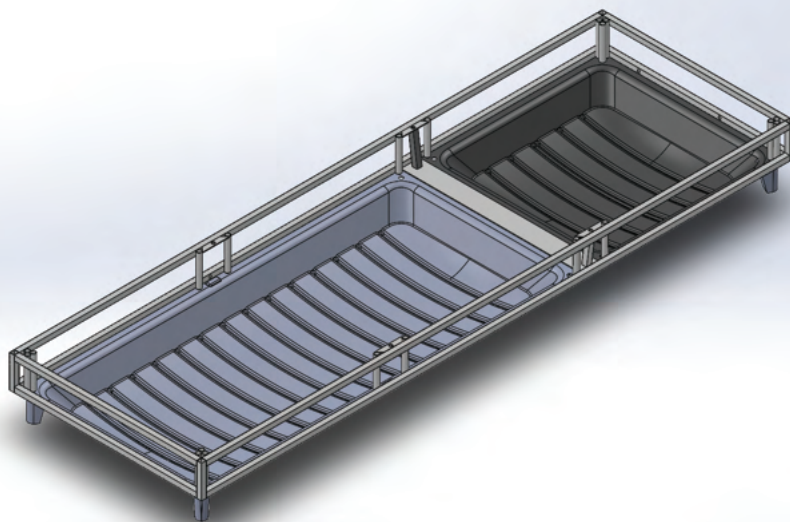
Push legs into tub holes to secure.



4

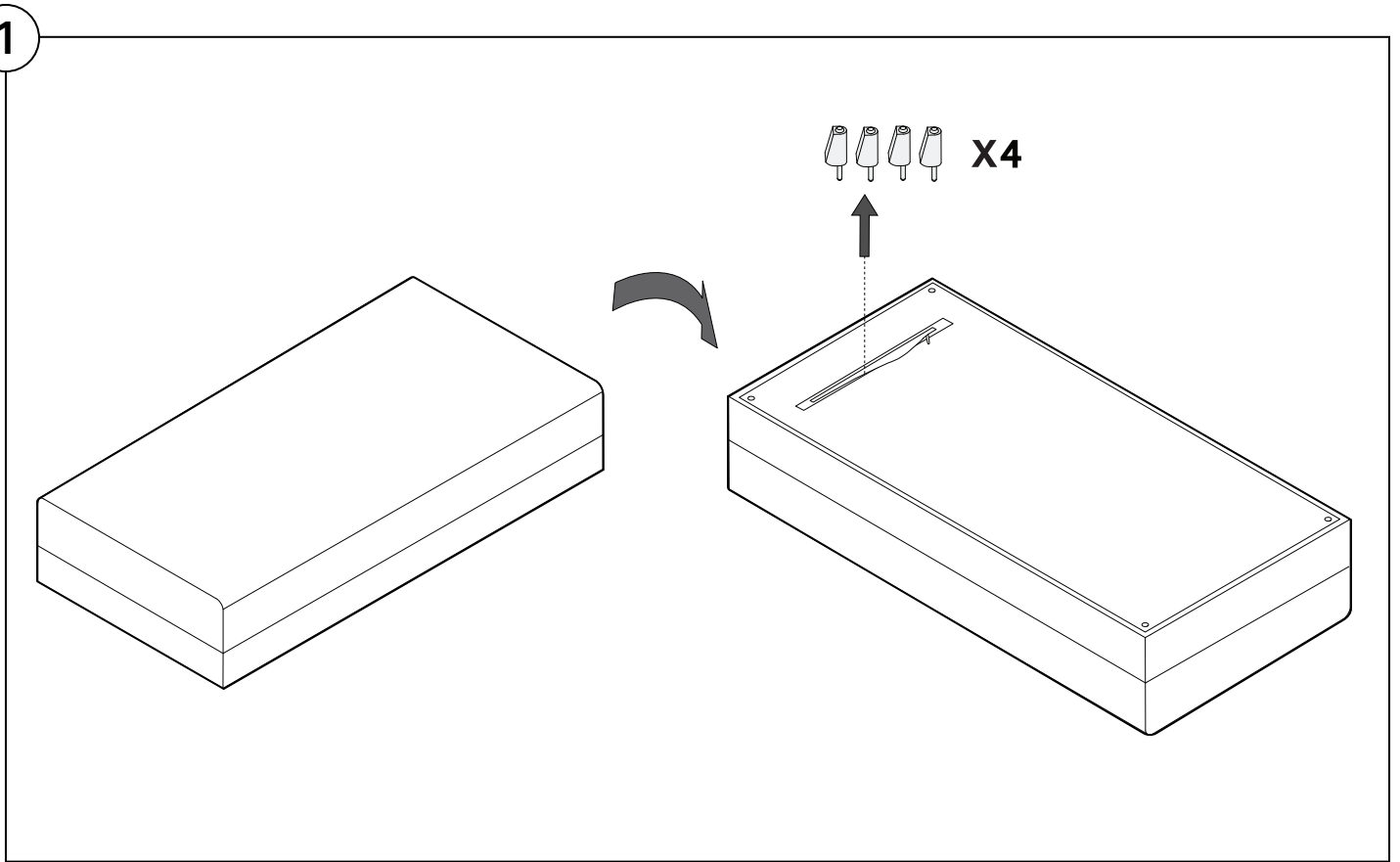
Sofa can then be turned to an upright position.

Check tubs are secure before use.

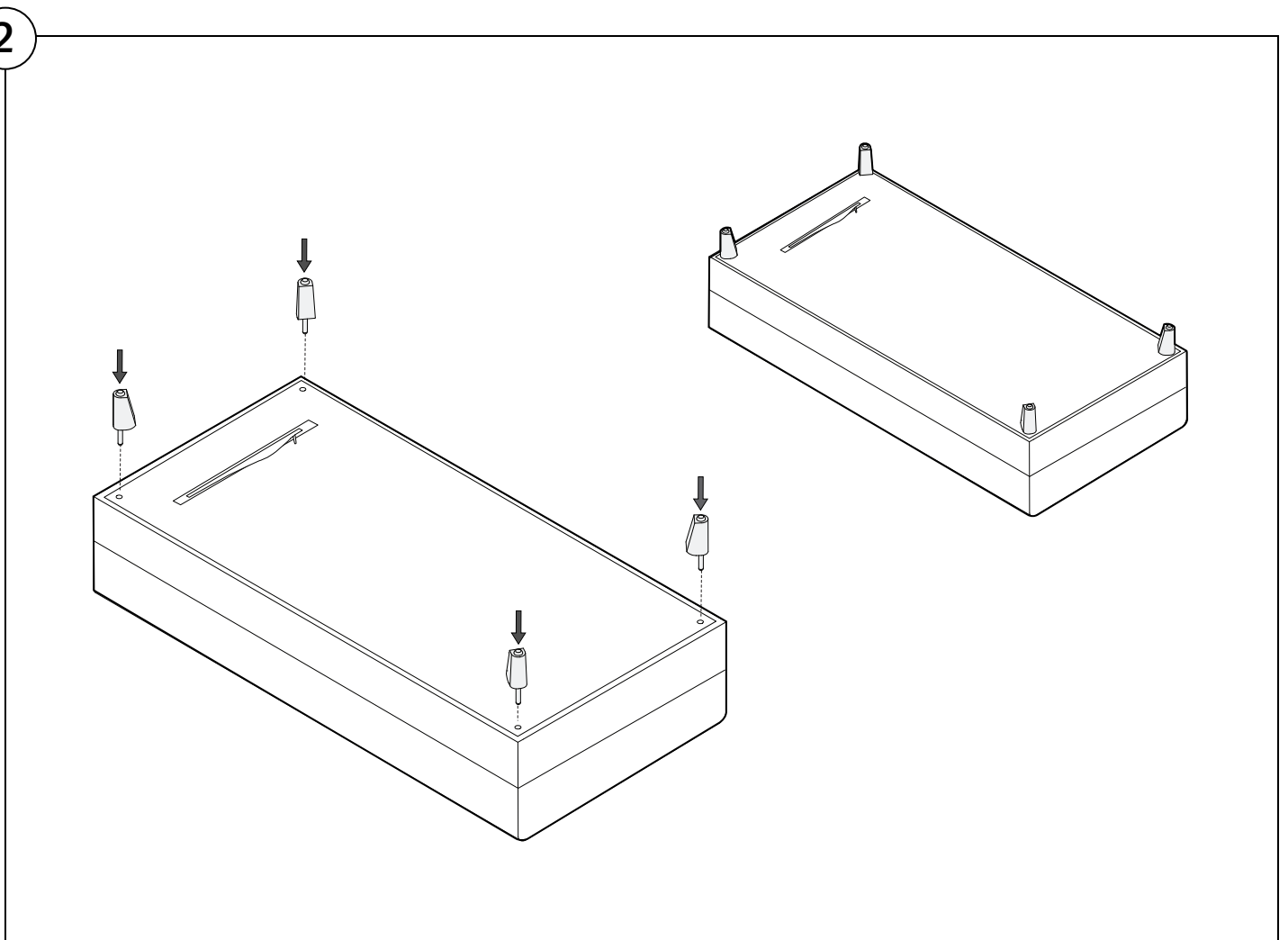


Non Storage Base Assembly

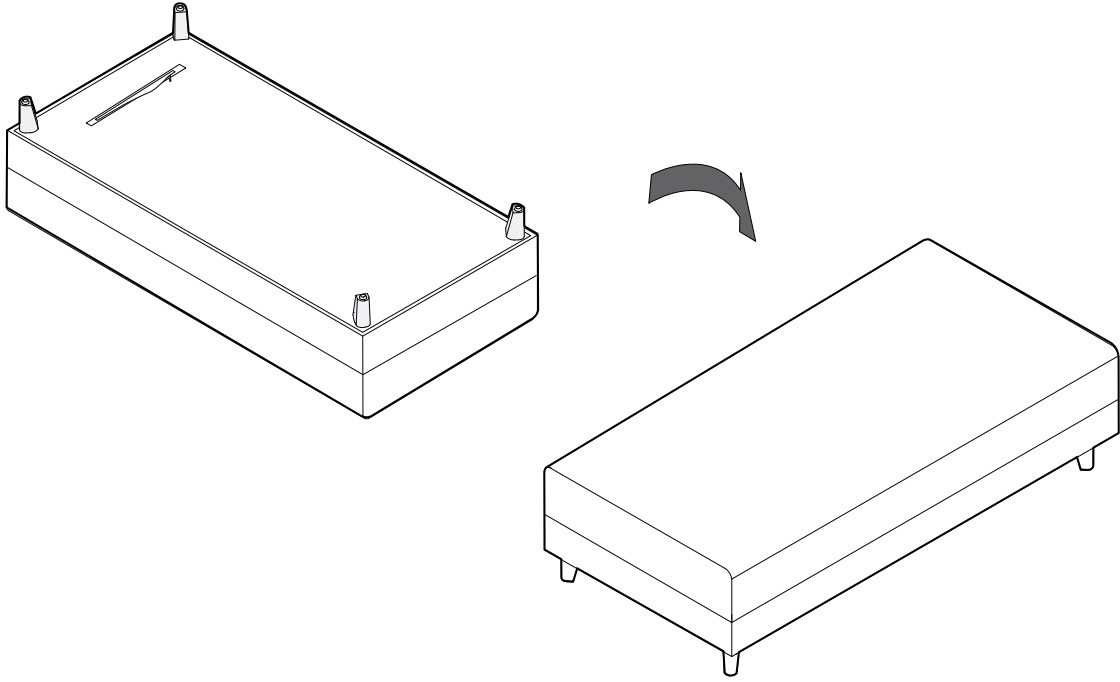
1



2

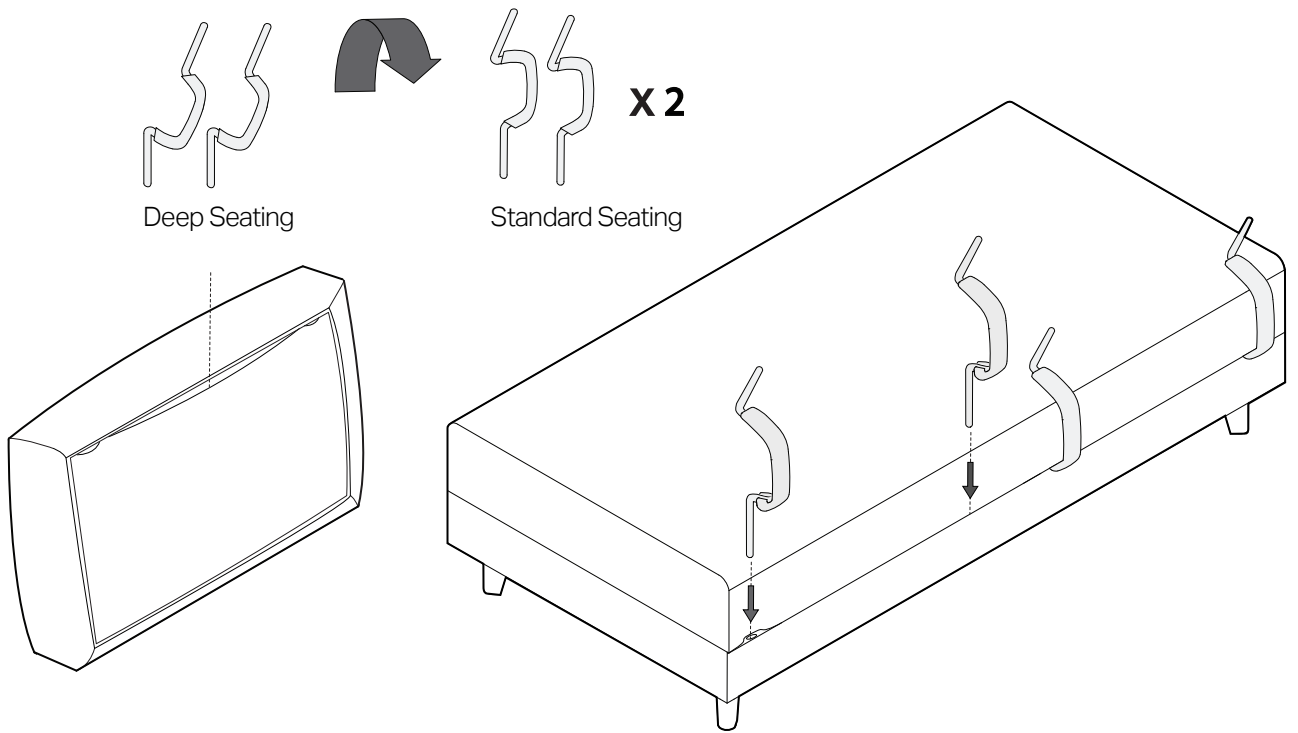


3

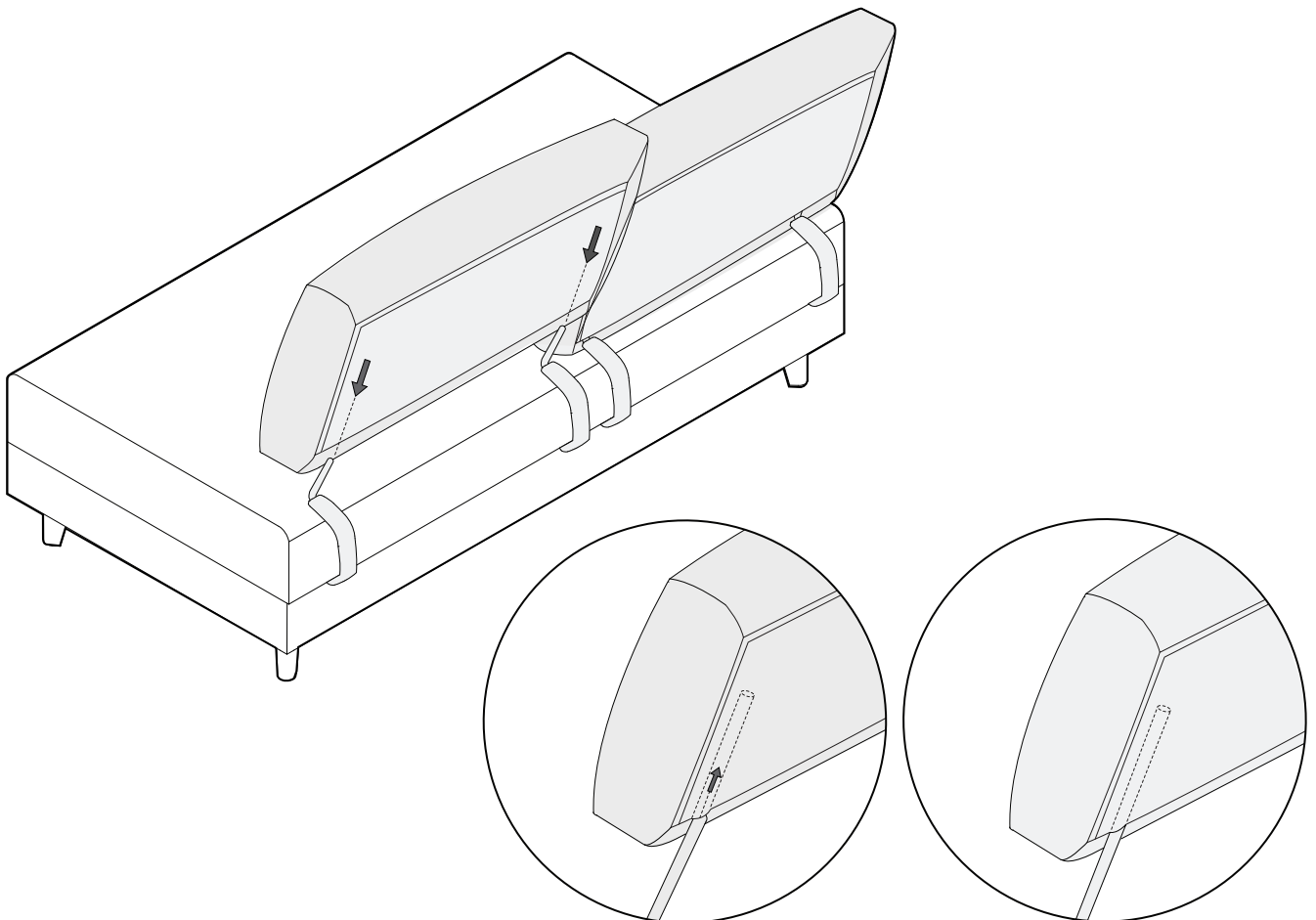


Standard Depth Seating Back Cushion Assembly

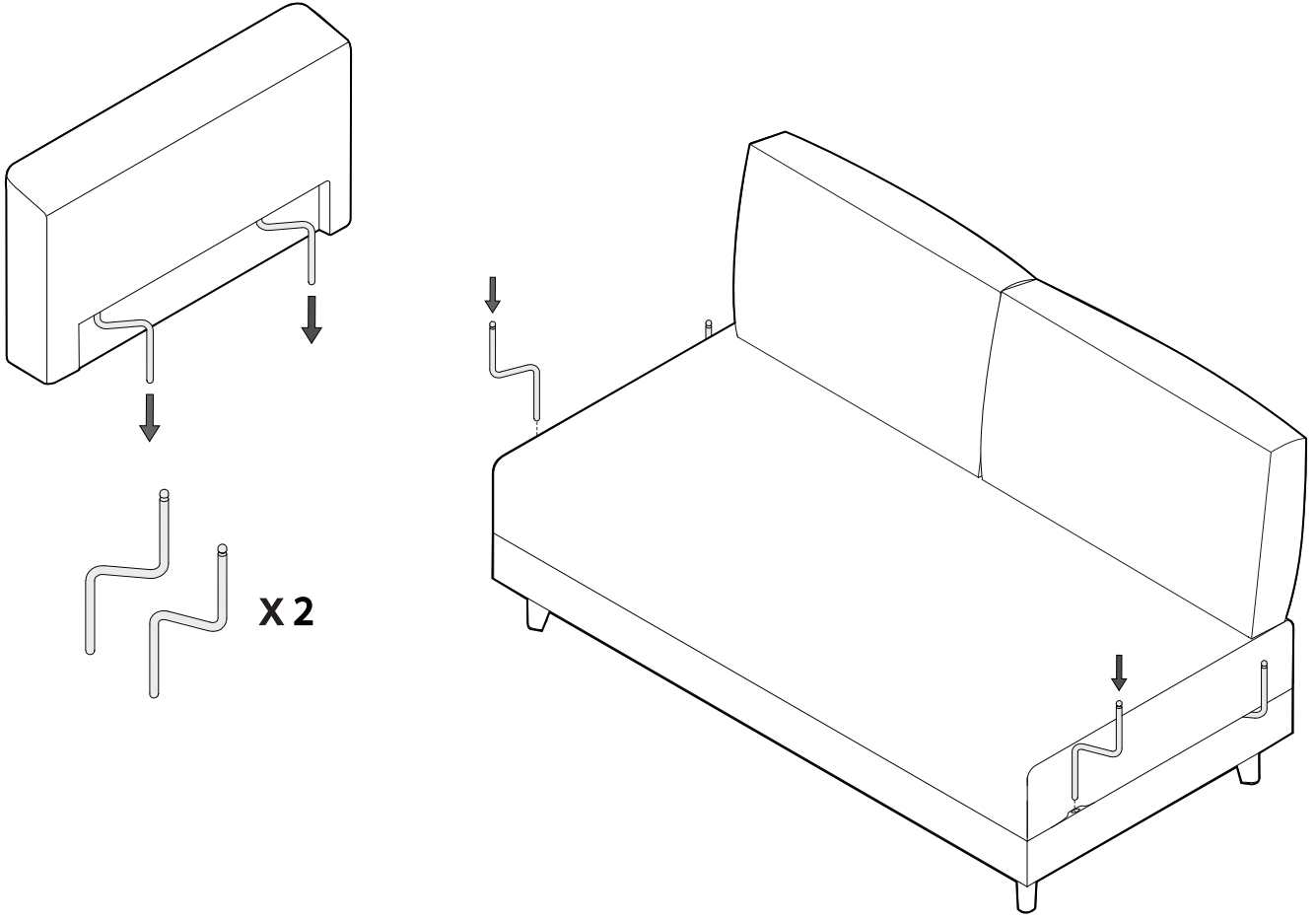
1



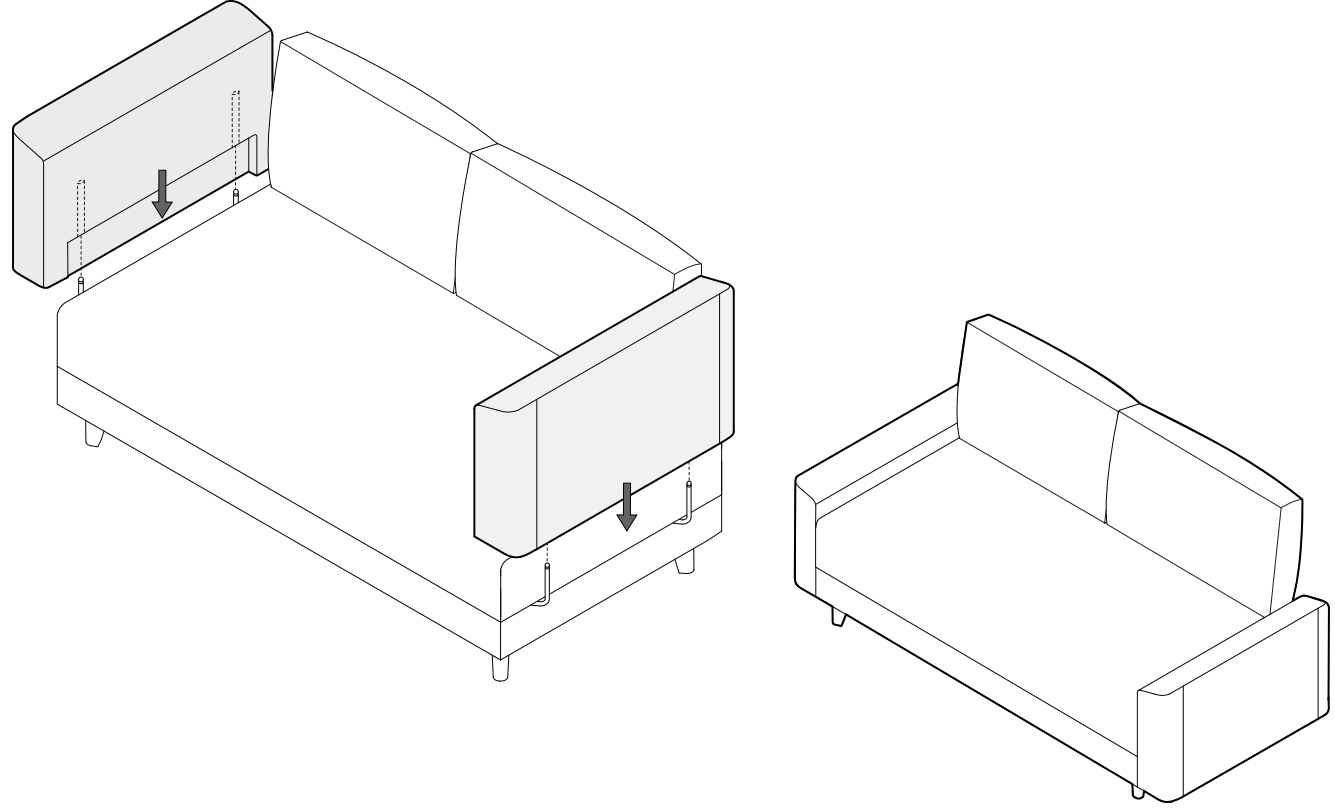
2



3

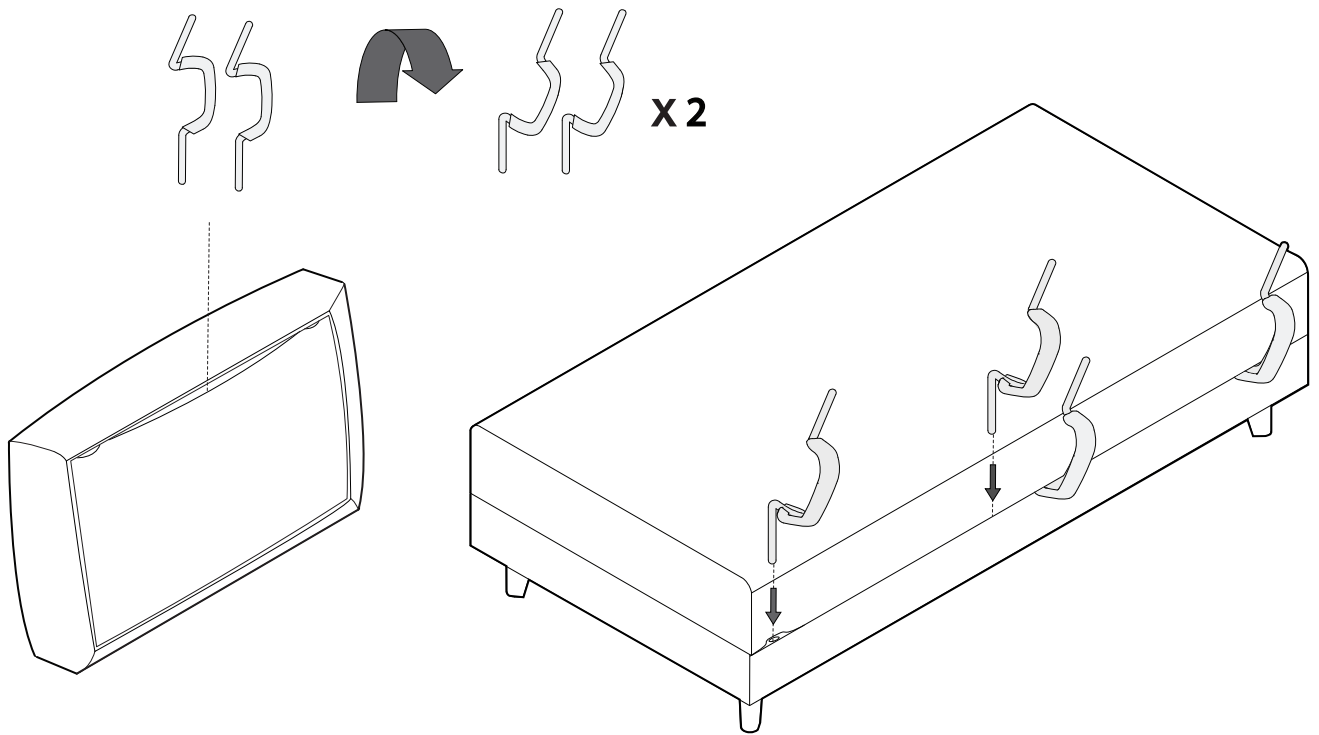


4

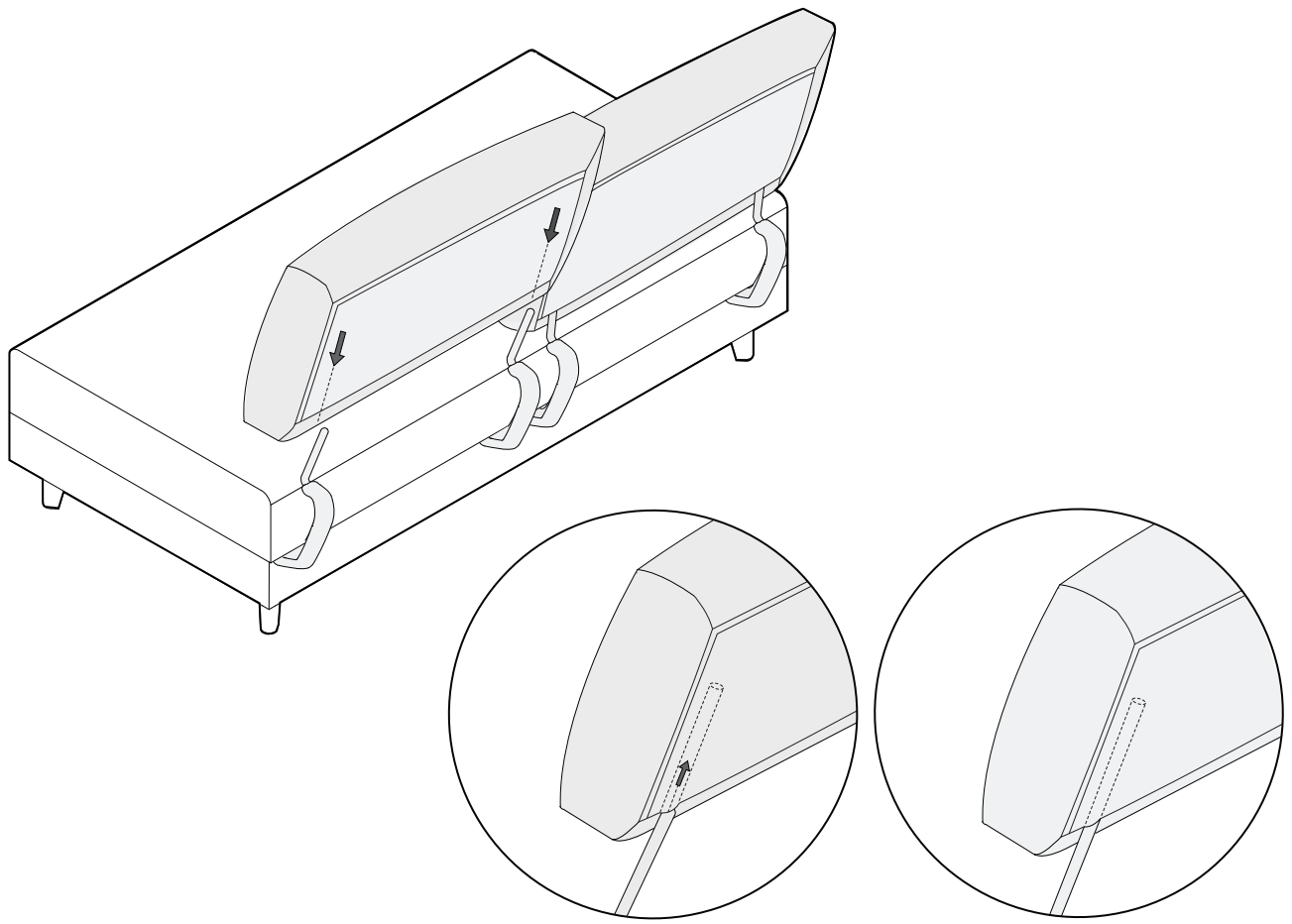


Deep Seating Back Cushion Assembly

1

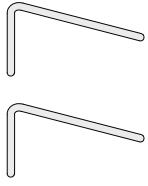


2

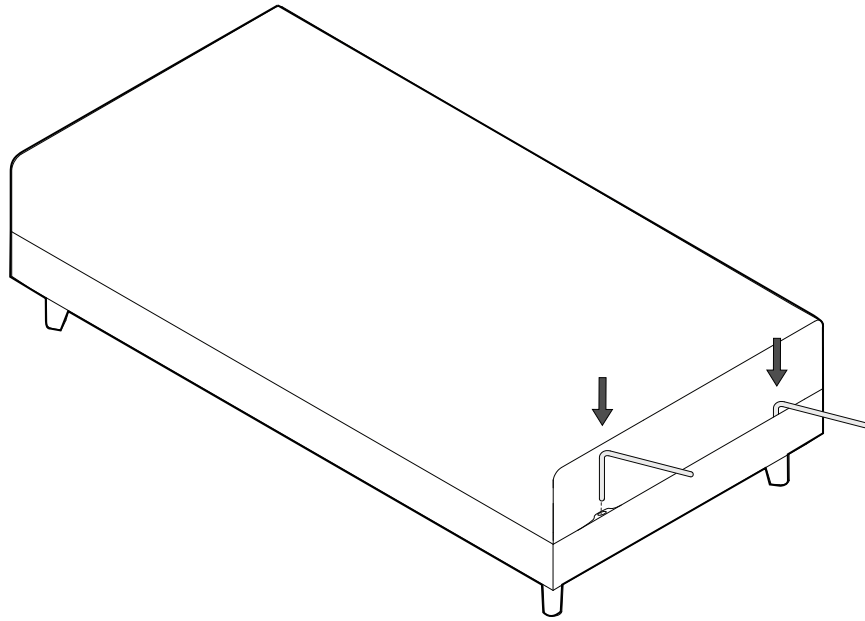


Bed Bracket Assembly

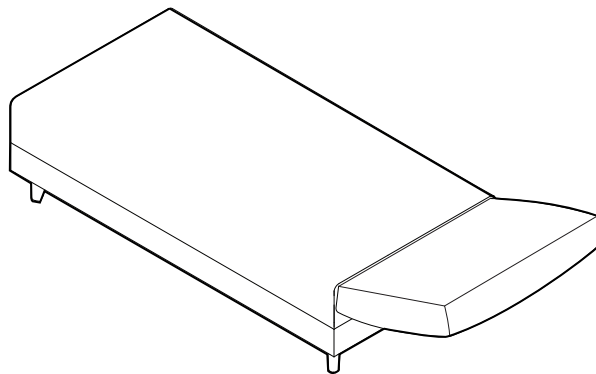
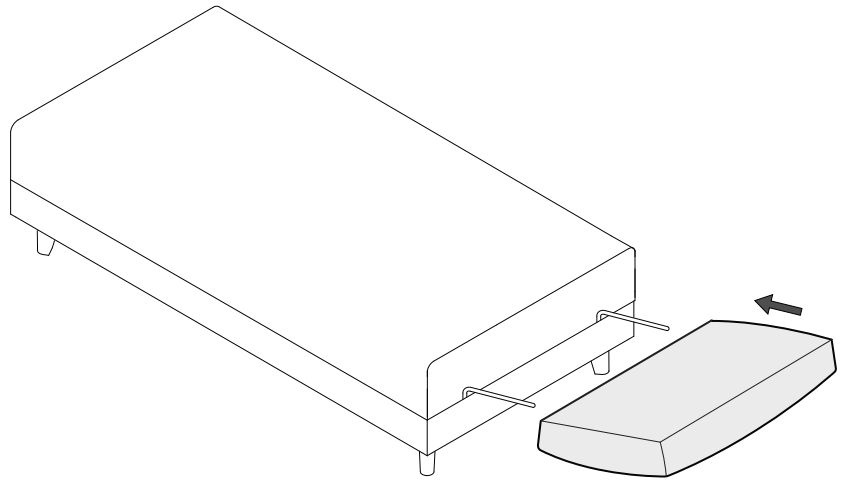
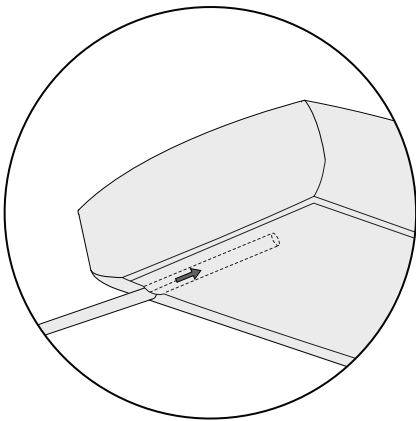
1



X2

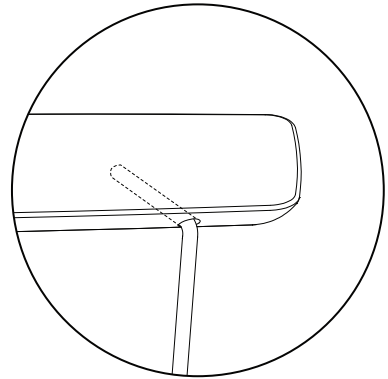
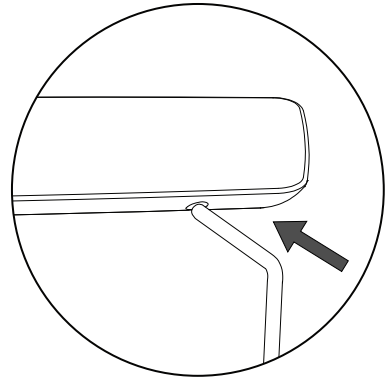
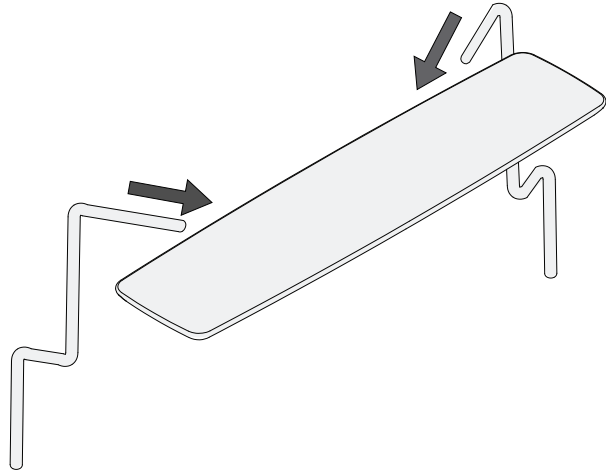
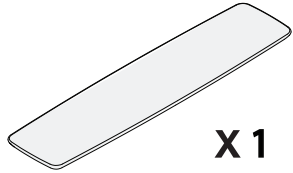
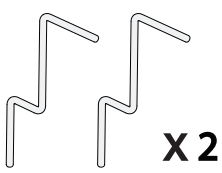


2

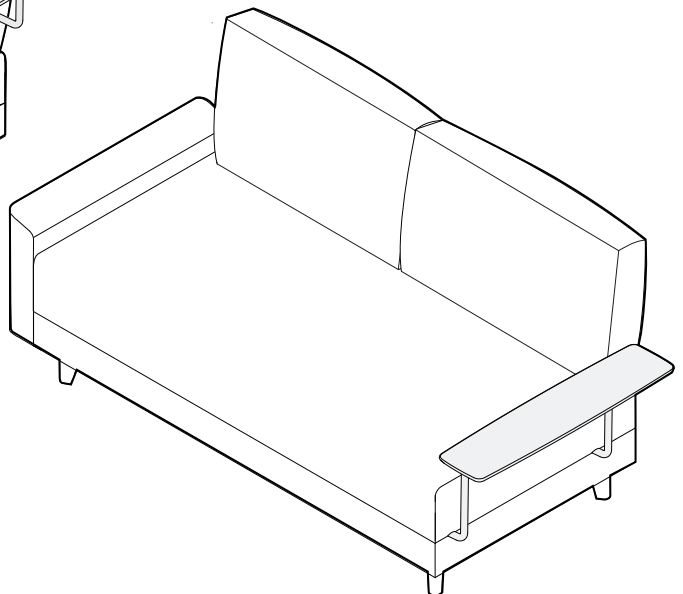
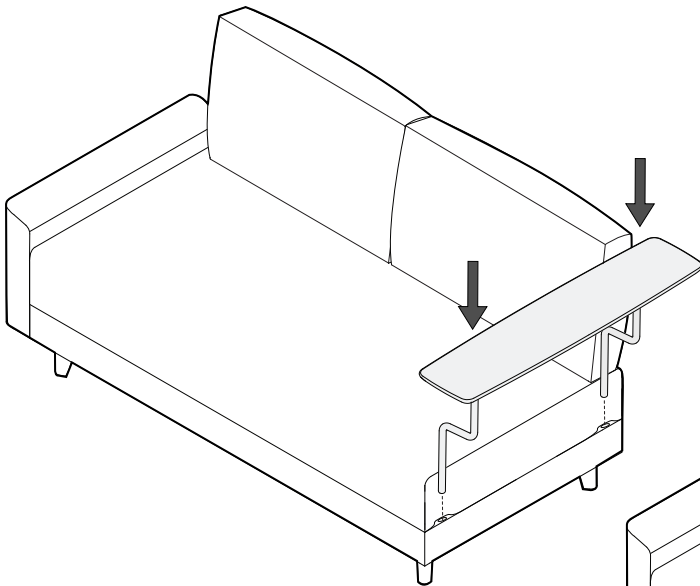


Rectangle Platform Table Assembly

1

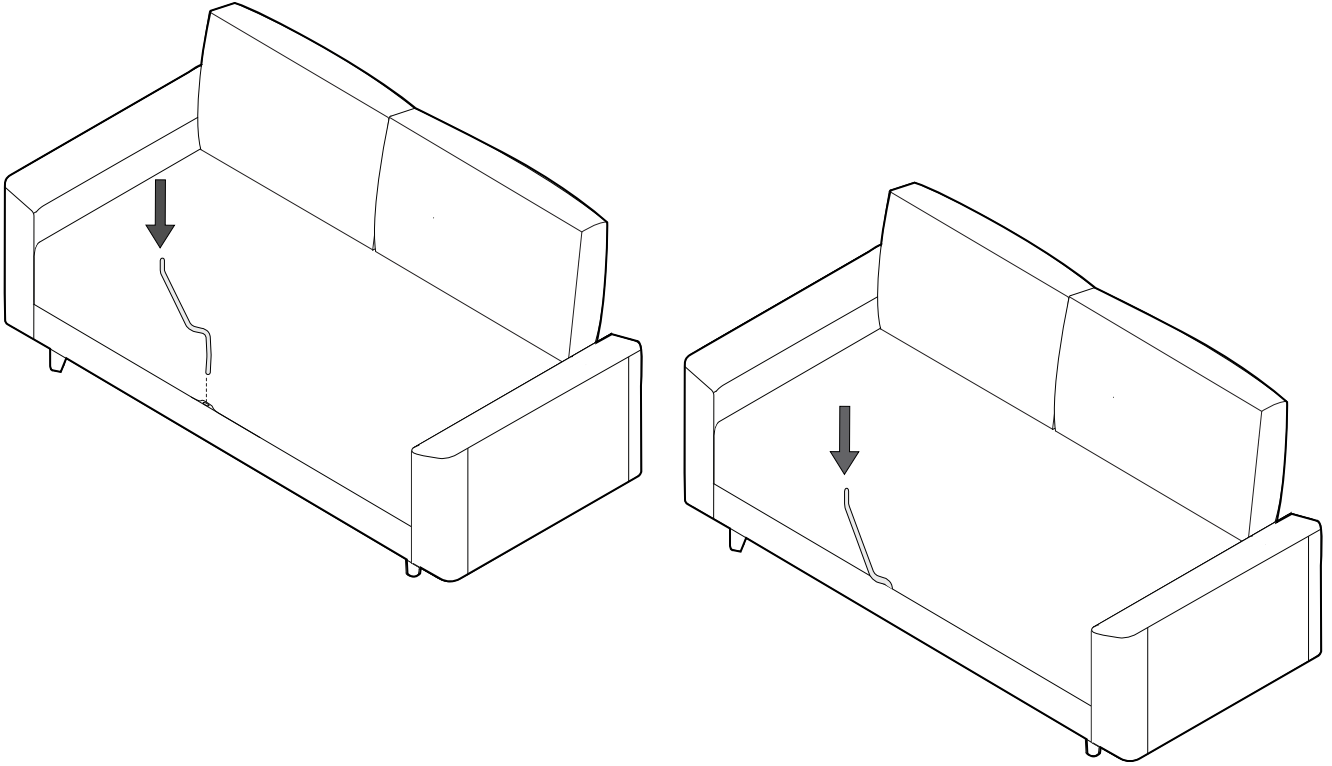


2

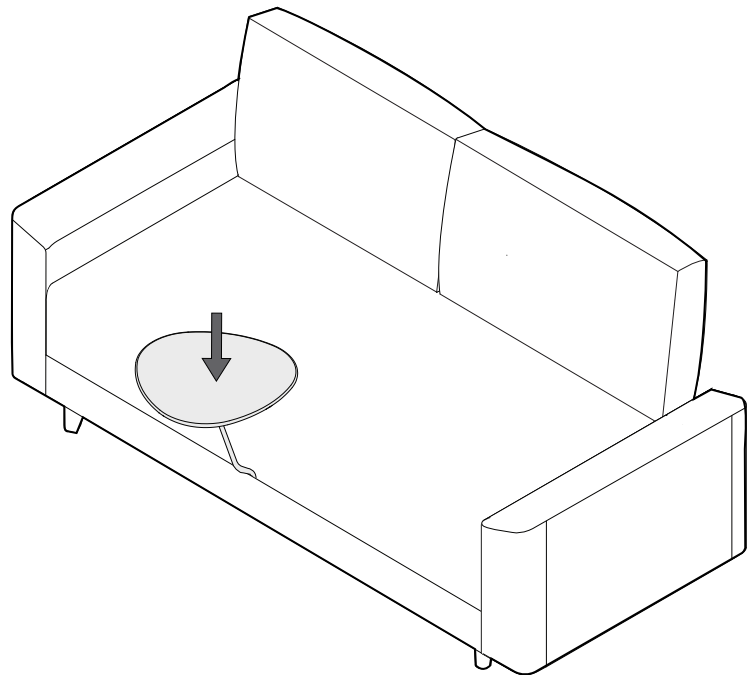
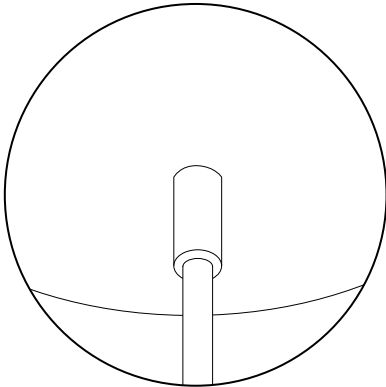
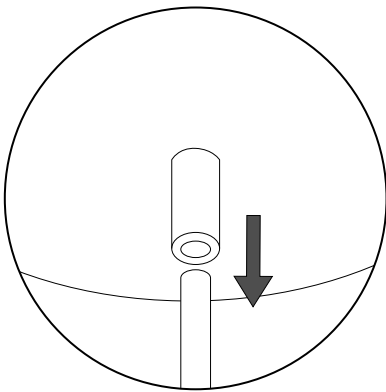


Crescent Platform Table Assembly

1

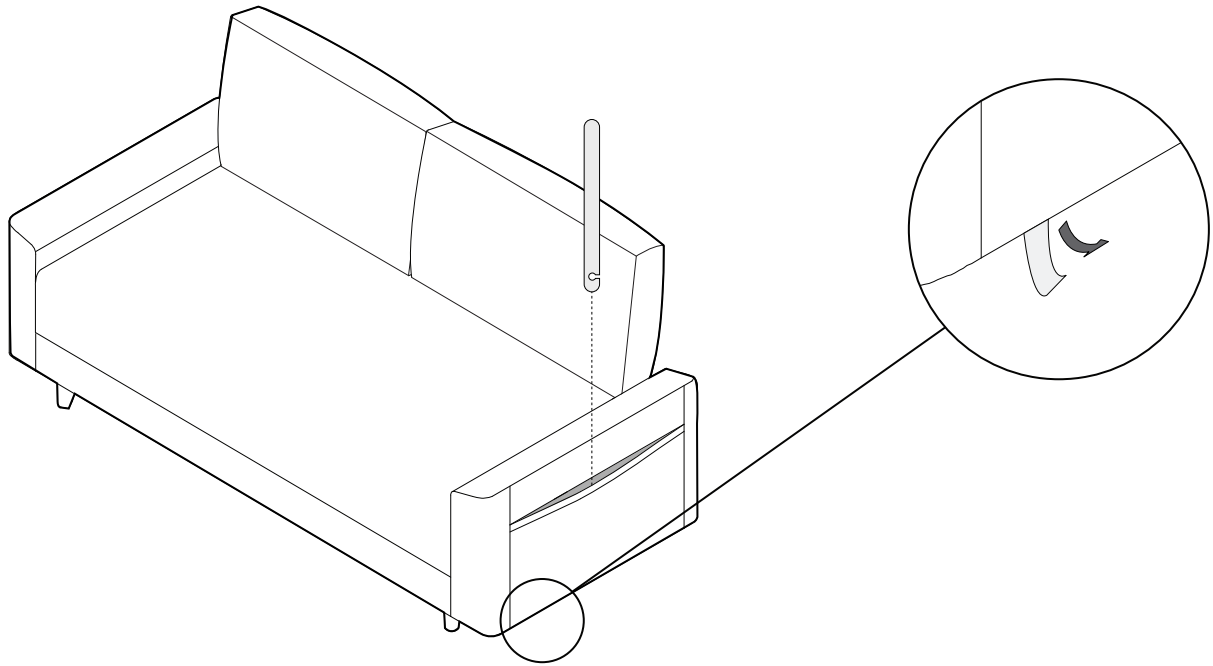


2

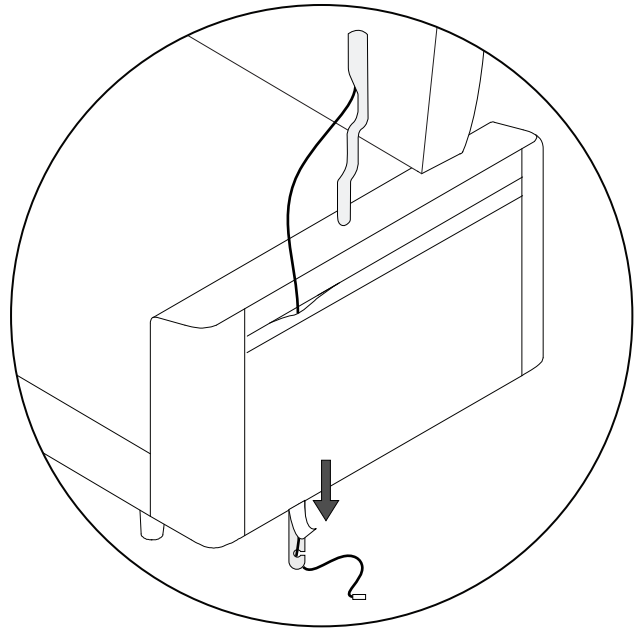
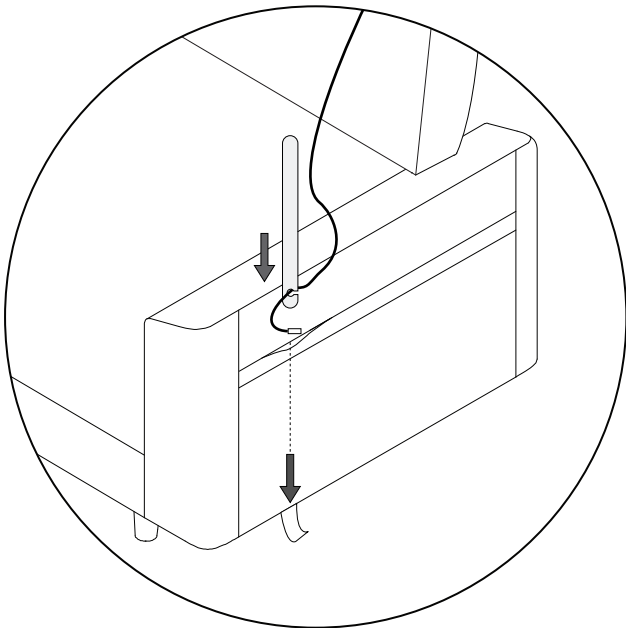
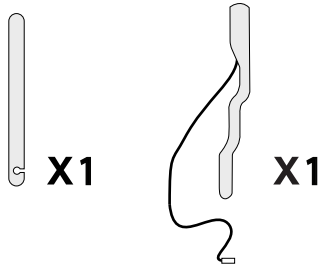


PocketAccessory Charge Table Assembly

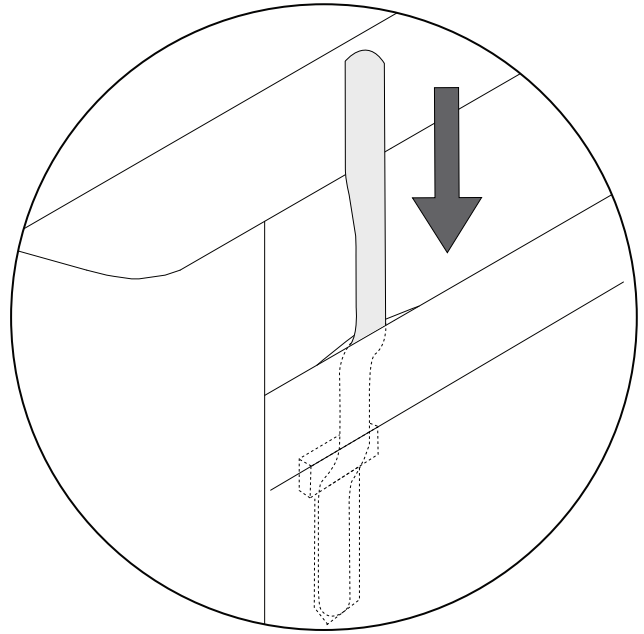
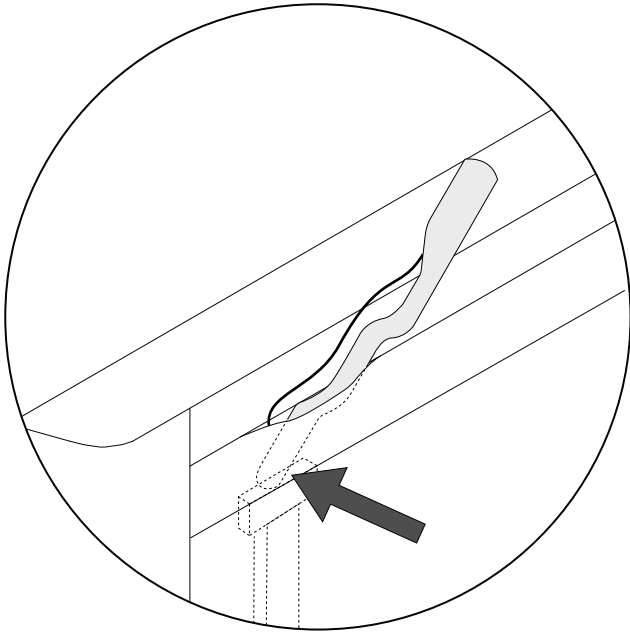
1



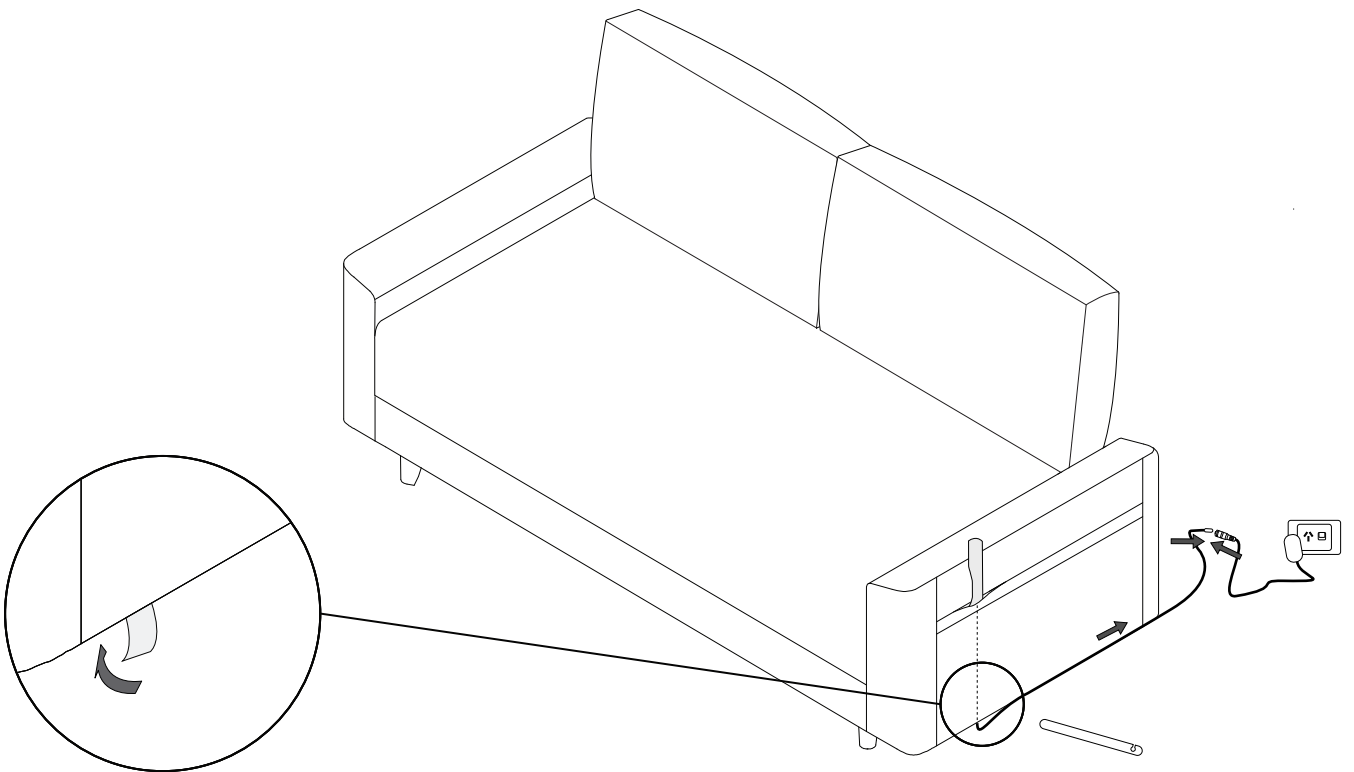
2



3



4



5

